



**OWNER'S MANUAL
MANUEL DE L'UTILISATEUR**

VACCUM MACHINE
650A

IMPORTANT SAFETY INSTRUCTIONS

SAVE THESE INSTRUCTIONS



This symbol points out important safety instructions which, if not followed, could endanger the personal safety and/or property of yourself and others. Read and follow all instructions in this manual before attempting to operate your machine.

Failure to comply with these instructions may result in personal injury.

General Operation

- Read, understand, and follow all instructions in the manual and on the machine before starting. Keep this manual in a safe place for further and regular reference and for ordering replacement parts.
- Only allow responsible individuals familiar with the instructions to operate the machine. Be sure to know controls and how to stop the machine quickly.
- Never put your hands near moving parts.
- Only allow qualified individuals for the maintenance of your machine.
- Remove all obstacles, which may interfere with the machine functions.
- Clear the work area such as electrical wires, buckets, knives etc.
- Be sure that everyone else is clear of your work area before operating the machine.
- Do not sit nor stand on the machine.
- Always turn off the machine after your work is done. Never leave a running machine unattended.
- Always disconnect and wait till the machine has cooled before attempting any maintenance.
- Do not wear loose fitting clothes or jewelry as they may get caught in moving parts of the machine.
- Always wear security shoes, to prevent injury caused by moving the machine or objects falling from the machine.
- Never exceed the time limit to seal, which is recommended by the manufacturer. This is to avoid any damage that may be caused to the sealing bars and to eliminate the risk of fire in the machine. Thus avoiding corporal burns.
- Never touch the sealing bars after they have been used, this will avoid corporal burns. Wait a few minutes to let the machine cool down before touching.
- Always make sure that the sealing bars are well installed in their "Guide Blocks" before starting a cycle.
- Never incline the machine more than 30 degrees, it may tip over and hurt someone seriously.
- Work only in daylight or good artificial light.

Do not operate the machine while under the influence of alcohol or drugs!

Service

- Use proper containers when draining the oil. Do not use food or beverage containers that may mislead someone into drinking from them. Properly dispose of the containers, or store in a safe place immediately following the draining of the oil.
- Prior to disposal, determine the proper method to dispose of waste from your local office of Environmental Protection Agency. Recycling centers are established to properly dispose of materials in an environmentally safe fashion.

Do not pour oil or other fluids into the ground, down a drain or into a body of water.



Warning-Your responsibility:

This machine should only be operated by personal who can read, understand and respect warnings and instructions regarding this machine in the owners manual. Save these instructions for future reference.

VACUUM PACKAGING MACHINE

MODEL 650A

(MC-40 SIPROMAC)

GENERAL TABLE OF CONTENTS

I OPERATION INSTRUCTIONS

II MECHANICAL

- A- Front view general assembly drawing
- B- Rear view general assembly drawing
- C- Cover adjustment procedure
- D- Central shaft assembly drawing
- E- Seal bar assembly drawings
(twin seal)
- F- Seal bar assembly drawings
(electrical bag cut option)
- G- Seal bar assembly drawings
(top and bottom sealing option)
- H- Gas injection kit installation drawing
(gas injection option)

III ELECTRICAL

- A- Electrical drawings

IV PNEUMATIC

- A- Pneumatic drawing

VACUUM PACKAGING MACHINES

OPERATION INSTRUCTIONS

TABLE OF CONTENTS

1. Setting up the machine
2. Electrical connection
3. Operation
 - 3.1 Working principles
 - 3.2 Special packaging
 - 3.2.1 Gas flushing
 - 3.2.2 Top and bottom sealing (bi-active)
 - 3.2.2 3.2.3 Electrical bag cut
 - 3.3 Setting of digital controls
 - 3.4 Daily cleaning
4. Trouble shooting
 - 4.1 Failure during a packaging cycle
 - 4.2 Insufficient vacuum
 - 4.2.1 Leakage in the bag
 - 4.2.2 No leakage in the bag
 - 4.2.3 Insufficient vacuum in the chamber
 - 4.3 Faulty seal
 - 4.3.1 Insufficient seal
 - 4.3.2 No seal
 - 4.3.3 Permanent sealing current
 - 4.3.4 Seal does not stick
 - 4.4 Fault in the valves
 - 4.5 Control board failure
5. Regular maintenance

2010-08-30

SIPROMAC INC.

VACUUM PACKAGING MACHINES

1. SETTING UP THE MACHINE:

Before choosing the site for the machine, please consider that you will also need room for packaged and non-packaged products apart from the space needed for the machine itself.

Keep in mind that the machine must not be set up upon uneven ground. Especially with mobile models, the weight of the pump might then cause warping of the machine. Then the lid will not fit correctly.

Before starting to work, check the oil view glass on the pump, if there is a sufficient quantity of oil in the pump. Never use oil other than recommended by the producer. Never exceed maximum quantity of oil indicated, when adding or changing oil. Verify weekly.

Normal ambient temperature for the vacuum pump is between 10 to 70°C. For temperature below 10°C; it is recommended to use synthetic oil. Please consult factory and pump manufacturer manual for more information or when ambient temperature are outside normal limits

2. ELECTRICAL CONNECTION:

Electrical connections must be made by qualified personnel. This person must make sure that the electrical entries corresponds to the proper voltage and amperage of the machine. **GROUNDING INSTRUCTIONS:** This appliance must be connected to a grounded, metal, permanent wiring system; or an equipment-grounding conductor must be run with the circuit conductors and connected to the equipment-grounding terminal or lead on the appliance. A qualified electrician should be consulted if there is any doubt as to whether an outlet box is properly grounded.

All vacuum machines are supplied with an electrical schematic drawing. An important step in connecting the machine is to make sure that the pump turns in its correct rotation.



The pump should not rotate more than 3 to 4 seconds in the wrong rotation or it may cause serious damage. The proper rotation is indicated by an arrow on the pump motor.

3. OPERATION:

3.1 Working principles:

A vacuum packaging cycle is made of 3 stages. First the vacuum is made, the air is completely taken out of the chamber and from bag containing the product. (See figure 1). Then it is possible to inject neutral gas from the nozzles, if the product is delicate. Finally, a mechanism pushes the sealing bar to the rubber support to seal the bag.

To obtain nice packages, the products and the bags have to be of proportional sizes. The bag's opening should never exceed 50 cm(2") past the seal bars. The product should be centered in height in relation to the seal bar by adjusting the spacers provided.

To obtain a good seal, make sure that no residue of fat is left between the bag's inner sides where sealing is done.

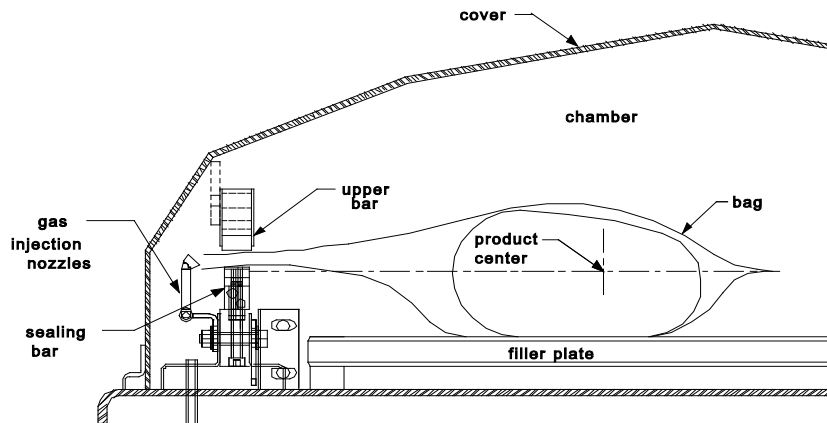


FIGURE 1

3.2 Special packaging:

3.2.1 Gas flushing (option):

There is an atmospheric pressure of 1 kg/ sq. cm (14 lbs/sq. inch) upon products when fully evacuated. Products which can be damaged by high pressure must be packaged with a partial vacuum, or the pressure must be counterbalance by inflating the bag with gas (nitrogen or carbon dioxide) before sealing after evacuation.

For gas flushing, the bags are placed on the sealing bars, the open end placed over the gas nozzles mounted alongside the sealing bar. After evacuation, the vacuum valve closes and the gas valve opens. Gas time (sec.) can be set in the program menu.

The necessary gas tank and pressure valve mounted on tank is not supplied, The pressure of the gas regulator should be set at approximately 1/3 kg/sq. cm (5 lbs/sq.inch.). Each machine has an adaptor for gas connection when gas flush option is ordered.

3.2.2 Top and bottom sealing (optional):

When sealing aluminium laminate bags (especially bags for e.g. coffee) it is imperative to have an upper and a lower sealing bar.

3.2.2 Electrical bag cut (optional):

This option is used to obtain a package that the excess bagtail is cut off close to the seal (cannot be used with top and bottom sealing).

3.3 Vacuum packaging operation:

3.3 Vacuum packaging operation:

Note: Refer to the menus structure on page 14 and the keyboard detail on page 15.

3.3.1 Basics:

Use key "POWER" to power ON / OFF the vacuum packaging machine. When the unit is energized, the identification of the last executed program is displayed on LCD screen.

Use the "ESC" key to change over from the programs menu to the functions menu and from the functions menu to the programs menu.

In functions menu, use key "SELECT" to select a function and key "ENTER" to accede and executed the selection.

In programs menu, use key "SELECT" to select a program and key "ENTER" to accede and modify the selection.

In programs submenu, use key "ENTER" to pass over the parameters and point to the following one; the parameters are blinking to point out the acquisition mode. A return to programs menu is performed automatically following the last parameter acquisition.

In program submenu, use key "ESC" to get back to the programs menu. Strike any key to clear the error messages which may be displayed on LCD screen.

3.3.2 Functions:

3.3.2.1 Create a program:

When executing the "create a program" function, the program submenu is acceded, starting with the identification. The initial identification "Pxx NO NAME" is given to the program and all parameters are established to zero; the program number is allocated automatically.

3.3.2.2 Delete a program:

When executing the "delete a program" function, the programs menu is acceded and the number of the first program in memory is blinking to point out the deletion mode. Use key "SELECT" to select a program and key "ENTER" to accede and confirm deletion of the selection. Use key "ESC" to unconfirm a deletion and to leave the function. When leaving the function, the number of the actual program on LCD screen cease to blink.

3.3.2.3 Select operating mode:

When executing the "select operating mode" function, which is available only for the automatic units, the actual selection is blinking to point out the acquisition mode. Use key "SELECT" to get through the operating modes, which are automatic, semi-automatic and manual; the validation of the selected operating mode is performed automatically. Use key "ESC" or "ENTER" to leave the function and get back to the program menu.

3.3.3 Programs menu:

3.3.3.1 Program identification:

For a selected program, set the identification, using the numeric keyboard characters chart; press numeric key until the desired character is selected (4 times for the numeric value). Use key "ENTER" to validate the character and to validate the characters string at the end (the new characters string is blinking). In a middle of an acquisition, use key "ESC" to come backward and erase one or several characters.

Example: EXAMPLE 1 → (9 characters)

keys 2, 2, ENTER	→ E
keys 8, 8, 8, ENTER	→ X
keys 1, ENTER	→ A
keys 5, ENTER	→ M
keys 6, ENTER	→ P
keys 4, 4, 4, ENTER	→ L
keys 2, 2, ENTER	→ E
keys 9, 9, 9, ENTER	→ space
keys 1, 1, 1, 1, ENTER	→ 1

key ENTER to validate the characters string

3.3.3.2 Vacuum level setting:

For a selected program set the vacuum level, starting with the values; the decimal point is automatically inserted following the second digit entry and the validation is automatically performed following the third digit entry (the new vacuum level is blinking). The vacuum level is rounded off to the nearest half value. In the middle of an acquisition, use key "ENTER" to validate the vacuum level and key "ESC" to come backward and start over with a new acquisition (the old vacuum level is blinking). Set vacuum level to zero to bypass the pressure transducer and proceed only using the vacuum plus time.

Examples: 90.0% → keys 9, 0, 0 or 9, 0, ENTER or
keys 9, 0, 1 or 9, 0, 2 or 9, 0, 3 or 9, 0, 4
97.5% → keys 9, 7, 5 or
keys 9, 7, 6 or 9, 0, 7 or 9, 0, 8 or 9, 0, 9
0.0% → keys 0, 0, 0 or 0, ENTER

3.3.3.3 Vacuum plus time setting:

For a selected program set the vacuum plus time, in seconds; the validation is automatically performed following the second digit entry (the new vacuum plus time is blinking). In a middle of an acquisition, use key "ENTER" to validate the vacuum plus time and key "ESC" to come backward and start over with a new acquisition (the old vacuum plus time is blinking).

Examples: 1s → keys 0, 1 or 1, ENTER

15s → keys 1, 5

3.3.3.4 Gas flush level setting:

For a selected program set the gas flush level following the same procedure as for the vacuum level; the maximum gas flush level setting is 10% below the vacuum setting.

3.3.3.5 Sealing time setting:

For a selected program set the sealing time, starting with the seconds; the decimal point is automatically inserted following the first digit entry and the validation is automatically performed following the third digit entry (the new sealing time is blinking). The sealing time is truncated to the nearest half hundredth. In a middle of an acquisition, use key "ENTER" to validate the sealing time and key "ESC" to come backward and start over with a new acquisition (the old sealing time is blinking).

Examples: 4.50s → keys 4, 5, 0 or 4, 5, ENTER or
keys 4, 5, 1 or 4, 5, 2 or 4, 5, 3 or 4, 5, 4
2.35s → keys 2, 3, 5 or
keys 2, 3, 6 or 2, 3, 7 or 2, 3, 8 or 2, 3, 9
0.00s → keys 0, 0, 0 or 0, ENTER

3.3.4 Vacuum cycle execution:

For the manual units and the automatic units set on manual, close the cover to initiate a vacuum cycle. For the automatic units set on semi-automatic or on automatic, use push button "STOP / START" to initiate or interrupt a vacuum cycle. A selected program can be initiated only in the programs menu, when no modifications are in progress, and the access to the other programs and functions is denied. During cycle execution the operation status is sequentially displayed on LCD screen, except for the parameters established to zero, which are not displayed:

- chamber vacuum level during vacuum sequence,
- vacuum plus time status during vacuum plus sequence,
- chamber vacuum level during gas flush sequence,
- sealing time status during sealing sequence,
- chamber vacuum level during atmosphere sequence.

During cycle execution, use key "1" to abort the vacuum sequence and execute the following sequence, which is gas flush or sealing, and key "ENTER" to accede and modify the program; the parameters become valid only for the following vacuum cycles.

3.3.5 System monitor:

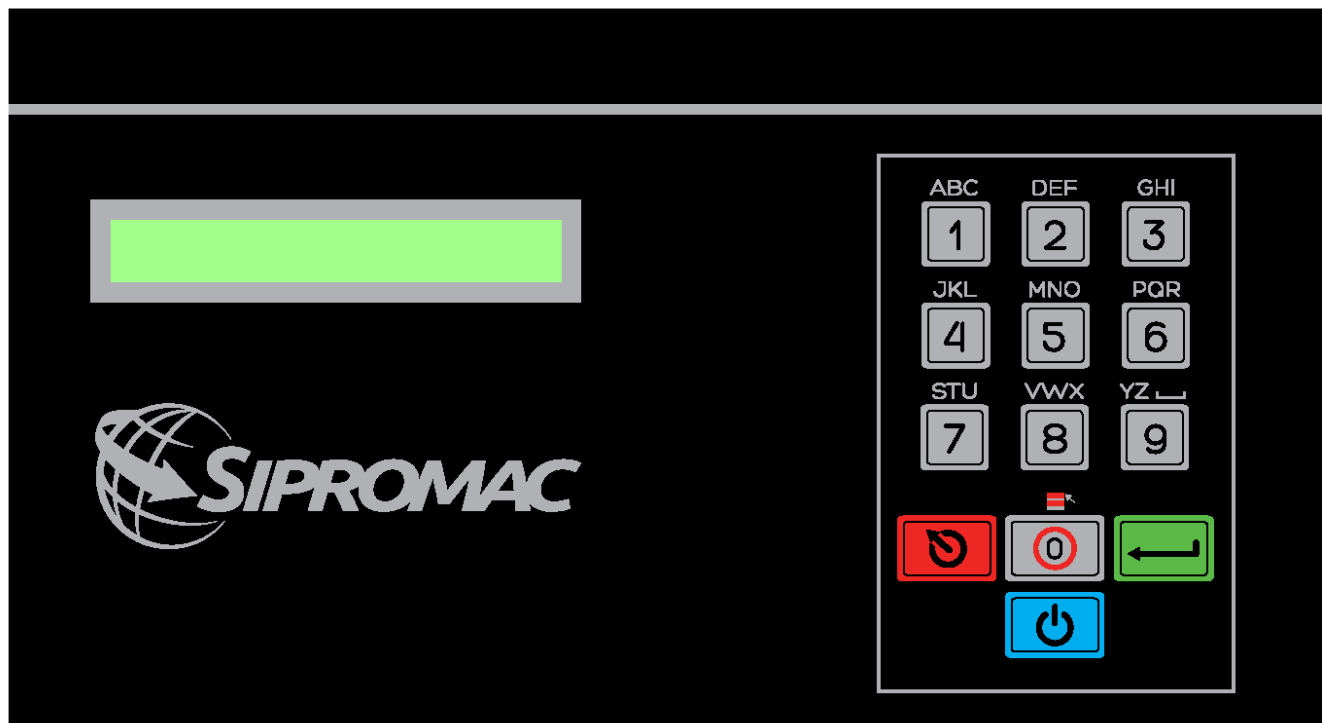
To accede the diagnostics menu, power up the vacuum packaging machine while keeping pushed in the "ESC"key. Use key "SELECT" to select the system monitor function and key "ENTER" to accede and visualize the monitored parameters. Use key "SELECT" to change over from the software revision, the amount of working hours done and the amount of complete cycles performed since first initialization.

-MENUS STRUCTURE-

- **Functions menu:**
 - "F1 CREATE A PRGM"
 - "F2 DELETE A PRGM"
 - "F3 SELECT OPMODE" (automatic units only)
- **Programs menu:**
 - "Pxx NAME"
 - Program submenu:
 - "VACUUM: xx.x%" (10.0% - 99.5%)
 - "VACUUM PLUS: xxs"(0s - 99s)
 - "GAS FLUSH: xx.x%" (0.0% - 10% below the vacuum level) (units with gas option)
 - "SEAL TIME: x.xxs" (0.00s - maximum unit allocated setting)
 - "Pxx NAME" (12 characters)
- **Diagnostics menu** (keys "ESC" & "POWER" for access):
 - "DIAGNOSTICS MENU" (access code required)
 - "D1 INPUTS TEST"
 - "D2 OUTPUTS TEST"
 - "D3 MODEL SELECT"
 - "D4 GAS OPTION"
 - "D5 SEALING TIME"
 - "D6 COOLING TIME"
 - "D7 OFFSET CALIB."
 - "D8 VACUUM SENSOR"
 - "D9 SIPROMAC PUB"
 - "D10 LOADING TIME" (automatic units only)
 - "D11 UNLOADNG TIME" (automatic units only)
 - "SYSTEM MONITOR" (no access code required)
 - "SOFTWARE: R x.xx"
 - "WORK HRS: xxxxx"
 - "CYCLES: xxxxxxxx"

-KEYBOARD DETAILS-

MC-40 CONTROLS





WARNING: All electrical work described in this brochure should be done by a QUALIFIED and AUTHORIZED technician.

3.4 Daily cleaning:

For hygienic cleanliness, it is imperative to clean chamber and spacers daily. Also clean the lid rubber to assure tight seat of the lid.

Cleaning instructions for gas injection nozzles: Periodically on a regular basis the gas injection nozzles must be removed with the connection tube and soaked in a food grade soap and water solution, then dried and re-installed.

4. TROUBLE SHOOTING:

4.1 Failure during packaging cycle:

4.1.1 "VACUUM ERROR" message is displayed on LCD:

No pressure variation is picked up by the PCB transducer during the vacuum sequence within a preset period of time.

- Check vacuum lines for potential leaks or kinks.

4.1.2 "GAS FLUSH ERROR" message is displayed on LCD:

No pressure variation is picked up by the PCB transducer during the gas flush sequence within a preset period of time.

- Check gas flush and vacuum lines for potential leaks or kinks.

4.1.3 "ATMOSPHERE ERROR" message is displayed on LCD:

No pressure variation is picked up by the PCB transducer during the atmosphere sequence within a preset period of time.

- Check vacuum lines for potential leaks or kinks.

4.1.4 "COVER DOWN ERROR" message is displayed on LCD(manual units):

The input signal of the down position switch has been lost during cycle execution.

- Check limit switch adjustment.

4.2 Insufficient vacuum:

4.2.1 Leakage in the bag:

Most frequently, insufficient vacuum in bags is due to leakage in bag and not due to any fault of the machine.

Pin-hole leak for which there is no obvious explanation is due to faulty bag material.

Pin-hole leak caused by sharp edge of the product (bone, etc.). Use bone-guard or thicker film.

Tear in bag by careless handling (sharp edge on filling table, damage made by retailer or customer).

Leakage in lateral or bottom seal, complain to supplier of bags or film.

4.2.2 No leakage in the bag:

Bag is too large, therefore the surplus of air remains visible (there is surplus of air in 0.4% of the bag volume in each bag). Use bags of suitable size.

Vacuum level is too low:

Pressure bar is jammed and closes opening of bag during evacuation.

4.2.3 Insufficient vacuum in chamber:

If troubles described under 4.2.1 and 4.2.2 do not apply, there is something wrong with the evacuation. To find the leakage quickly, check for leaks with a precision vacuumeter, going back step by step from the chamber to the pump.

At the chamber (measuring point at base of valve) at maximum time of evacuation. If more than 6 torr, proceed directly to the pump, if more than 3 torr: have pump service by pump supplier. If pressure at pump is good, reconnect hoses to pump and measure again.

Verify at vacuum hose connections and valve connections.

When proceeding this way, starting from pump, loss of pressure per step must not exceed 0.5 to 1 torr.

Caution: Verify connections of measuring equipment before verifying machine.

Most frequent points of leakage: lid gasket, damaged vacuum hose or loose hose clamps.

4.3 Faulty seal:

4.3.1 Insufficient seal:

Damaged teflon or silicone rubber.

Sealing pressure too low, bellows leaking or pressure bar jammed.

Leakers in seal: heating wire mechanically damaged (knicked) or silicone rubber uneven.

4.3.2 No seal:

Sealing wire burnt.

Faulty contact in sealing circuit.

Sealing transformer burnt through.

Contactors does not work.

4.3.3 Permanent sealing current:

Contactors is jammed check sealing transformer for damage through overload.

4.3.4 Seal does not stick:

Insufficient layer of polyethylene (inferior quality of bags).

Seal area extremely contaminated by fat or meat juice. Use filling aid.

Sealing temperature is too low (when using very thick films).

Caution: Do not increase sealing time more than really necessary; higher temperature will reduce working life of teflon and silicone rubber.

4.4 Fault in the valve:

Vacuum or air valve does not open.

Check whether there is voltage on the magnetic valves during their period of operation. If there is no voltage a wire is broken or the PC board is damaged.

Lid does not open at the end of the cycle; air enters, but there is still 20 - 40% vacuum in chamber. Vacuum valve does not close.

4.5 MC40 Control board failure

NOTE: Refer to menu structure on page 13.

This board software is allowing access to a "Diagnostics Menu". Only qualified service technicians are authorized to access this menu by entering a security password.

By accessing either the "D1 input test" feature or the "D2 output test" feature, a trained technician will be able to quickly know the origin of the problem: pump, sealing system, pneumatic problem, security switches problem, etc...

Keep in mind that in most cases trouble is due to a leakage, loose electrical connection or evident damage to the main components: vacuum pump, valves, electrical contactors, thermal overload, fuses holder or transformer.

For assistance do not hesitate to contact your local service technicians.

5. Regular maintenance:

Routine controls to be made at regular intervals:

Check teflon for wear.

Check silicone rubber for burnt spots and smooth even position.

Check pressure bar for jamming.

Check lid sealing for damage and hardened spots.

Check switch-point of micro switch, adjust if necessary.

Check evacuation hose for damage (contraction of diameter, or abrasions).

Check vacuum connections for tightness.

Check oil in pump (oil level in view glass; add if necessary. Regular change of oil - necessity indicated by change of color).

Check vacuum in chamber with precision vacuumeter.

Check function of cycle with various settings of timers.

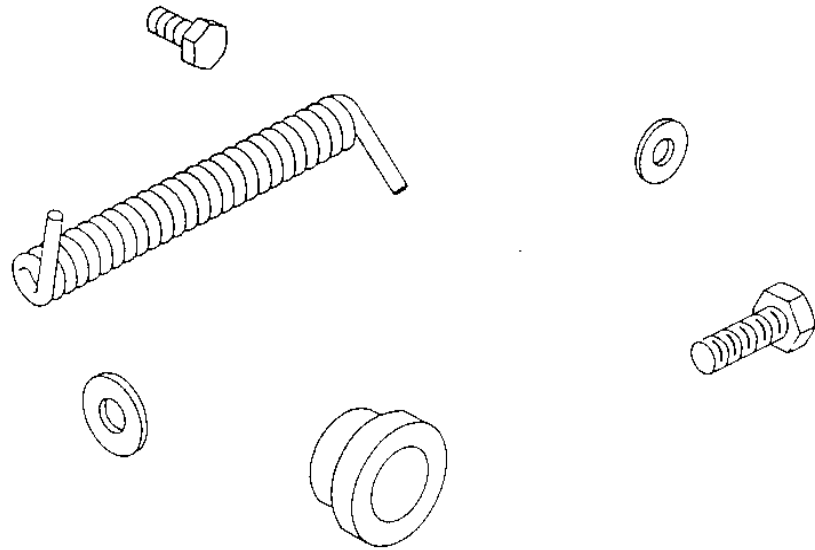
MODEL 650A

COVER ADJUSTMENT PROCEDURE

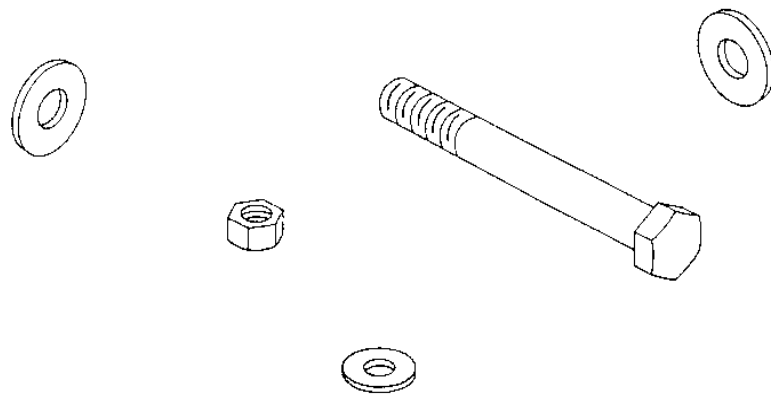
Reference Drawing:# 005-0325
004-0122

PROBLEM: MACHINE TABLE AND COVER SEEMS TO BE STRAIGHT, LID GASKET IS GOOD BUT COVER DOES NOT SIT PROPERLY ON BOTH SIDES OF TABLE.

1. Floor should be flat (within 1/8" approx.).
 - 2.1 Mark position of original adjustment of guide arm length and its lower shaft position (See drawing # 005-0416; items: #39 & #16).
 - 2.2 Loosen the two bolts on the guide arm (See drawing # 005-0325; items #39).
 - 2.3 Now move the cover each side and check how cover sits on the table. Distance between table and lid gasket should be under 1/16" approx. If so, go to step 3.0 for guide arm adjustment. Otherwise go to step 2.4 for central arm adjustment.
 - 2.4 Put chamber in upright position and check with a square angle to see if arms are parallel. If not, loosen bolt at the end of one arm and adjust until square (See drawing # 005-0416; items #33, #14 & #44).
 - 2.5 When closing cover (guide arm still loose), if cover is not sitting properly on either the front or rear of the table, you have to change the height of a central pillow block (See drawing # 004-0122; item #3) until cover is sealing properly each side (less than 1/16").
3. Adjustment of guide arm: two things have to be adjusted, the length and the lower axis position. Each of these should be adjusted separately. Fix the lower axis in a central position, then adjust guide arm length by marking its position. When chamber is at the left and at the right, tighten at the center of your marks. Adjustment can be done a couple of times until everything is ok.

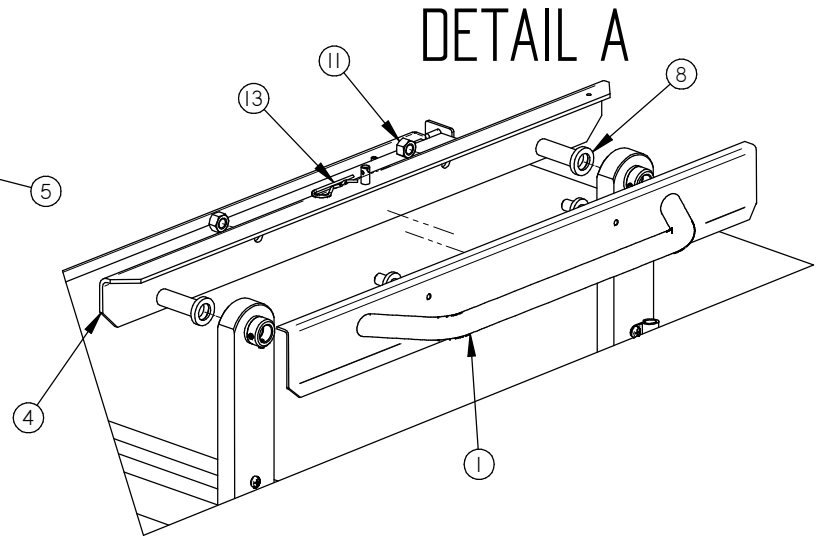
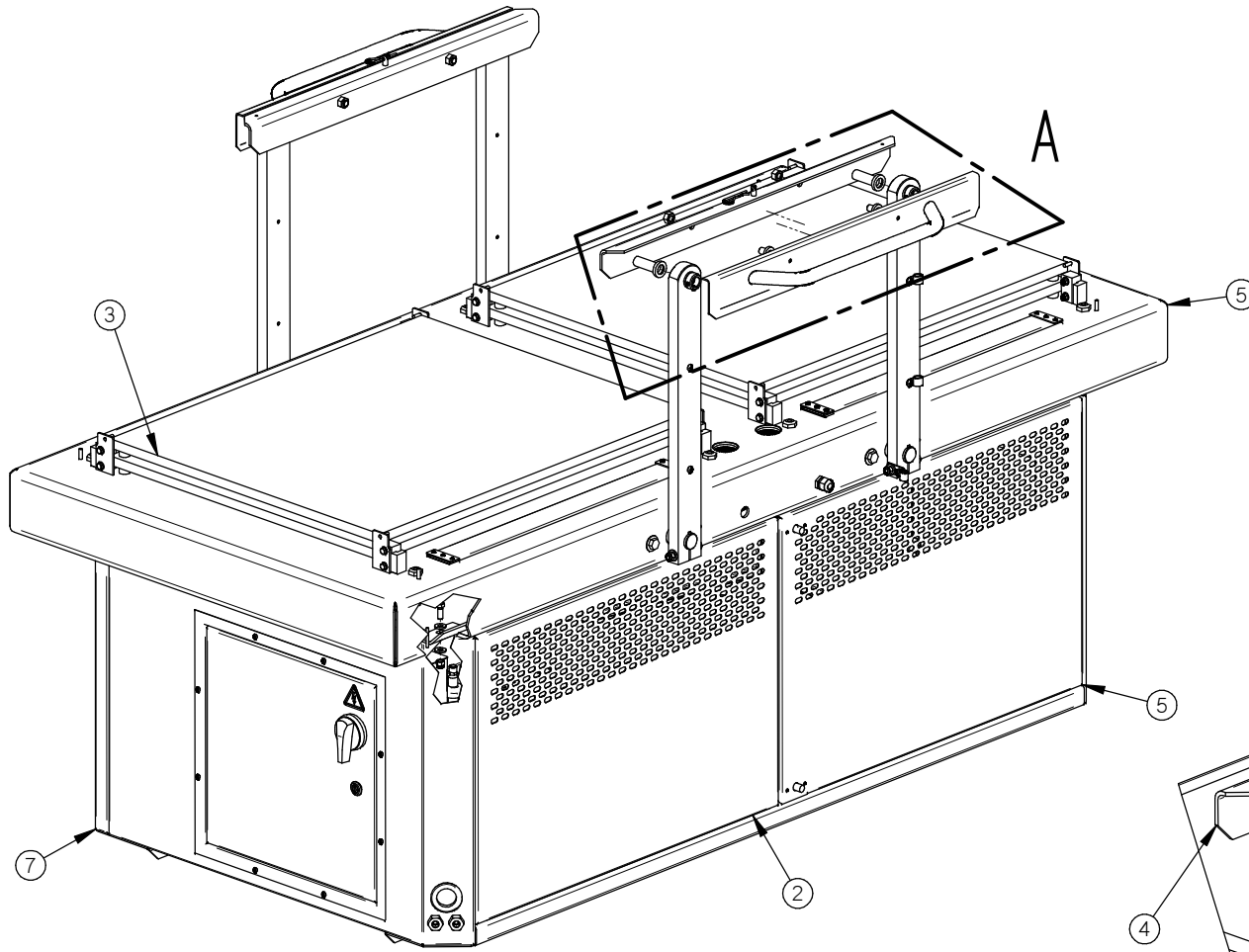


MECHANICAL DRAWING



005D0352

ITEM	PART #	DESCRIPTION	QT.
1	004A0213	COVER HANDLE ASS'Y	2
2	004A4239	LEFT REAR ACCESS DOOR PRE-ASSY	1
3	005-0349	FILLER PLATE ASSEMBLY	4
4	005-0359	ARM SUPPORT ASSEMBLY	2
5	005A1519	RIGHT REAR ACCESS DOOR ASSY	1
6	005B1518	TABLE ASSEMBLY W/ARM	1
7	005D0465	STRUCTURE ASSEMBLY	1
8	008-0368	ARM SUPPORT SPACER	4
9	051-0360	BOLT 3/8"-16nc. X 1" S/S	6
10	051-0622	NUT 3/8"-16nc. NYLON LOCK S/S	6
11	051-0630	NUT 1/2"-13 S/S	4
12	051-0783	WASHER 3/8" FLAT THICK S/S	12
13	056-0125	HITCH PIN CLIPS 3mm X 60mm S/S	2

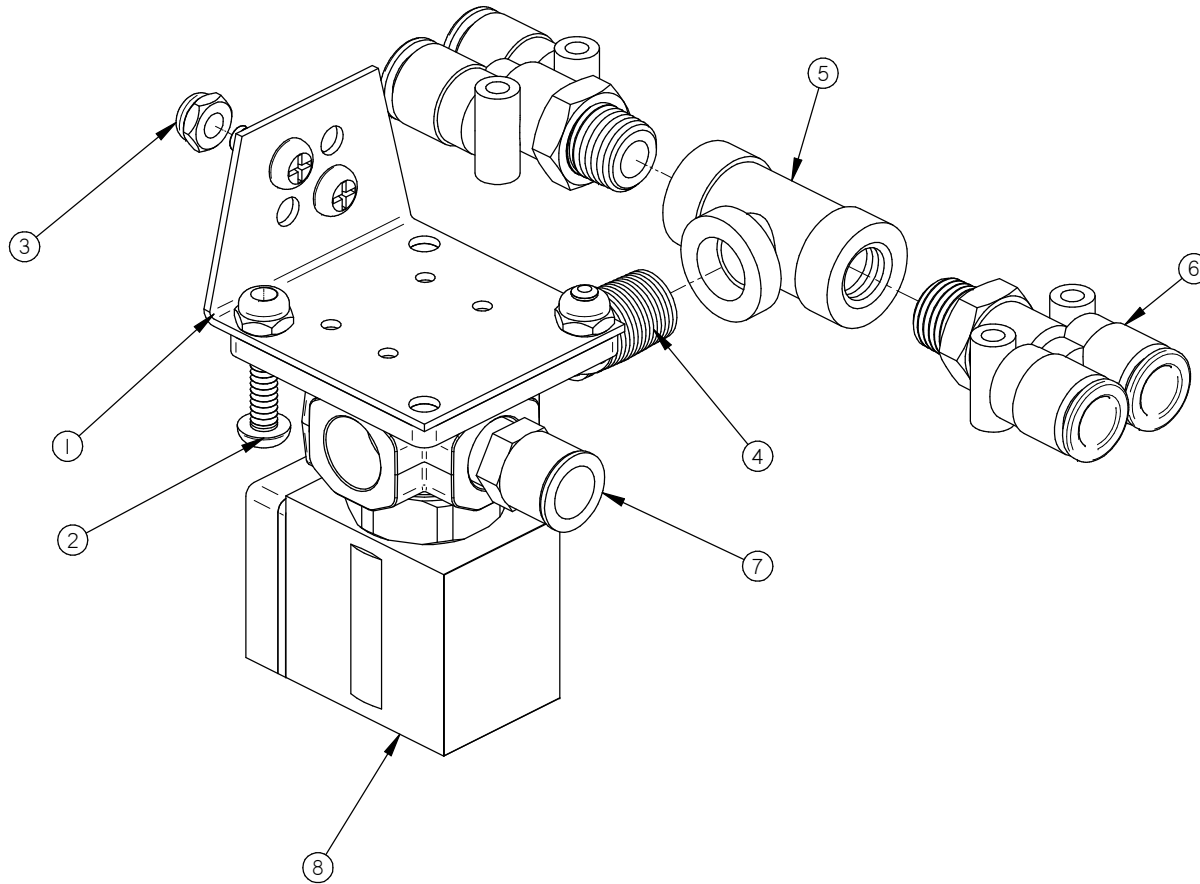


LET.	MODIFICATION	DATE	INT.
------	--------------	------	------

MACHINE		650A		DEPT. TOL.	METRIC	INCH	SIPROMAC ST-GERMAIN DE GRANTHAM QUEBEC CANADA
PART		BASE MACHINE ASSY		USINAGE	± 0.1	± 0.004"	
ITEM		CNC		TOLERIE	± 0.5	± 0.020"	
MAT.		3D DWG BY AG		DATE	16-09-26		NO. 005D0352
		2D DWG BY AG		DATE	16-09-26		
				DEPT.	M		QTY. 1

005A1524

ITEM	PART #	DESCRIPTION	QT.
1	001B6779	VALVE SUPPORT BRACKET	1
2	051-0144	SCREW #10-24 N.C 1/2" PAN PHIL. S/S	4
3	051-0572	NUT #10-24 NYLON LOCK S/S	4
4	100-0225	CLOSE NIPPLE 1/4" NPT SS	1
5	100-0463	TEE 1/4" NPT S/S	1
6	102-0361	Y BRANCH 1/4" MNPT X 3/8" T. QUICK	2
7	102-0410	MALE CONN. 1/4" MNPT X 3/8" T. QUICK	1
8	106-00701	VALVE 3WAY 24V 1/4" NPT	1

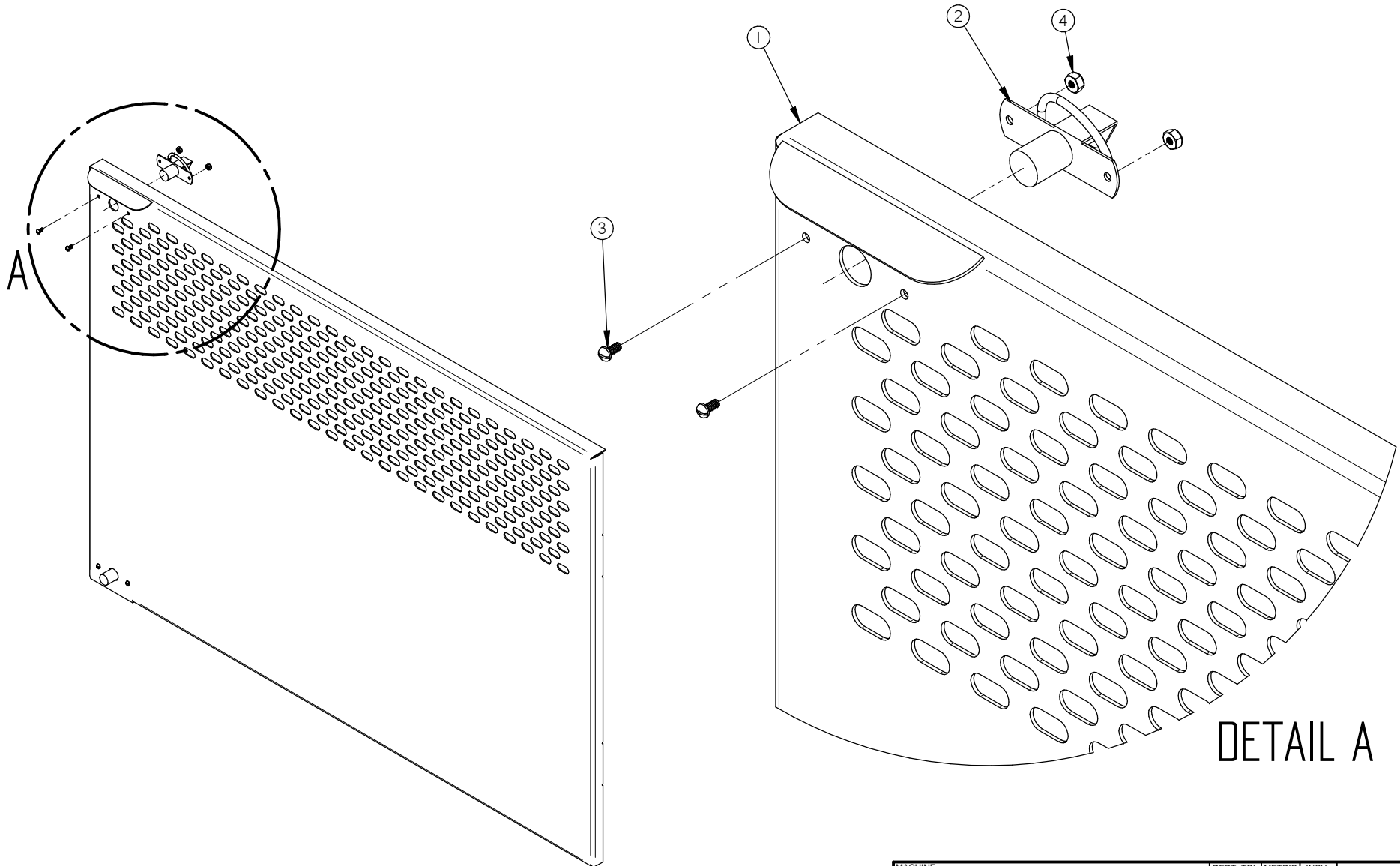


LET.	MODIFICATION	DATE	INT.
------	--------------	------	------

MACHINE	650A		DEPT. TOL.	METRIC	INCH	SIPROMAC ST-GERMAIN DE GRANTHAM QUEBEC CANADA
PART	BELLOWS VALVE ASSY		USINAGE	± 0.1	± 0.004"	
			TOLERIE	± 0.5	± 0.020"	
			SOUDEAGE	± 0.5	± 0.020"	
ITEM	CNC	DEPT.	N.T.S.		M	QTY. 1
MAT.	3D DWG BY SBU	DATE 14-07-17	NO. 005A1524			
	2D DWG BY XX	DATE YY-MM-DD				

005A1519

ITEM	PART #	DESCRIPTION	QT.
1	004A4238	RIGHT REAR ACCESS DOOR PRE-ASSY	1
2	056-2600	SPRING PAWL LATCHE SS KNOB	2
3	051-0071	SCREW 4-40 x 1/4" RND SLOT S/S	4
4	051-0541	NUT # 4-40 NYLON LOCK SS	4



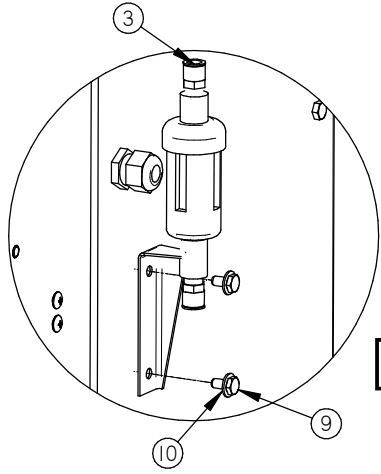
DETAIL A

LET.	MODIFICATION	DATE	INT.
------	--------------	------	------

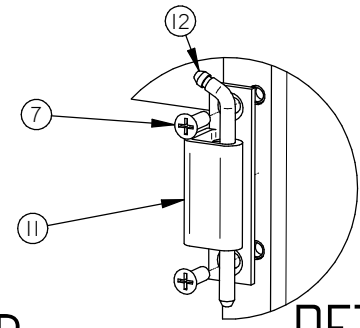
MACHINE		650A		DEPT. TOL.	METRIC	INCH	SIPROMAC ST-GERMAIN DE GRANTHAM QUEBEC CANADA
PART		RIGHT REAR ACCESS DOOR ASSY		USINAGE	± 0.1	± 0.004"	
				TOLERIE	± 0.5	± 0.020"	
				SOUDEAGE	± 0.5	± 0.020"	N.T.S.
ITEM		CNC		DEPT.	M		QTY. 1
MAT.		DWG BY	SBU	DATE	13-09-16		NO. 005A1519
		APP. BY		DATE			

005C0465

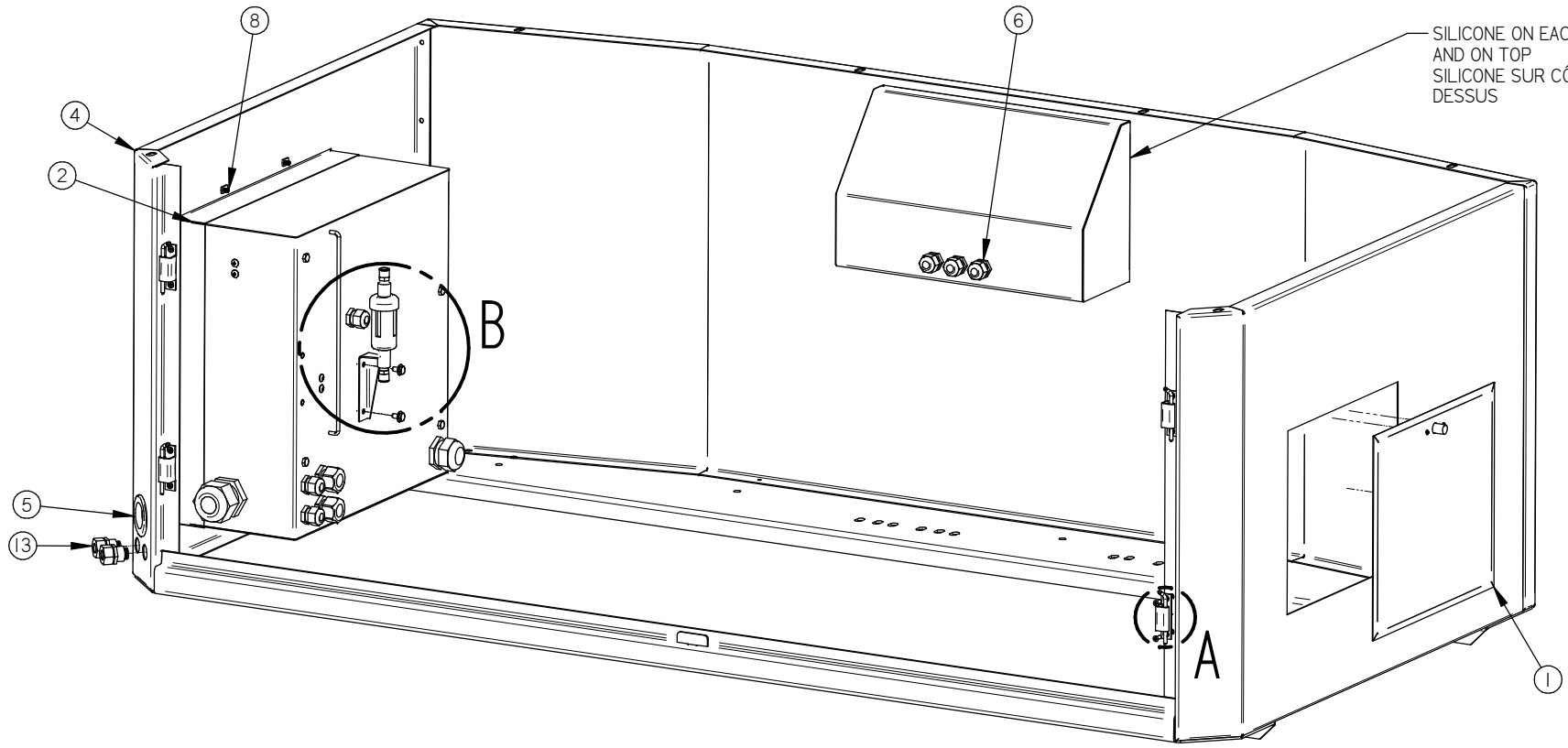
ITEM	PART #	DESCRIPTION	QT.
1	004A4090	ACCESS DOOR ASSEMBLY	1
2	004A4098	ELECTRIC BOX ASS'Y	1
3	004A4138	VACUUM SENSOR FILTER	1
4	004C0138	STRUCTURE PRE-ASSY	1
5	036-0265	GROMMET 1-1/2" ID X 2-3/8" OD RUBBER	1
6	036-0409	PRESSE-ETOUPE CD13	3
7	051-01385	SCREW 10-24 x 1/2" FLAT-UND. PHIL S/S	8
8	051-0144	SCREW #10-24 N.C 1/2" PAN PHIL. S/S	8
9	051-0180	BOLT. HEX. 1/4"-20 NC. x 1/2" S/S	2
10	051-0740	WASHER 1/4" FLAT S/S	2
11	056-3010-1	HINGE CONCEALED SS304 - BASE	4
12	056-3010-3	HINGE CONCEALED SS304 - PIN	4
13	102-0551	BULKHEAD 1/4"NPT X 3/8 TUBE QUICK	2



DETAIL B



DETAIL A



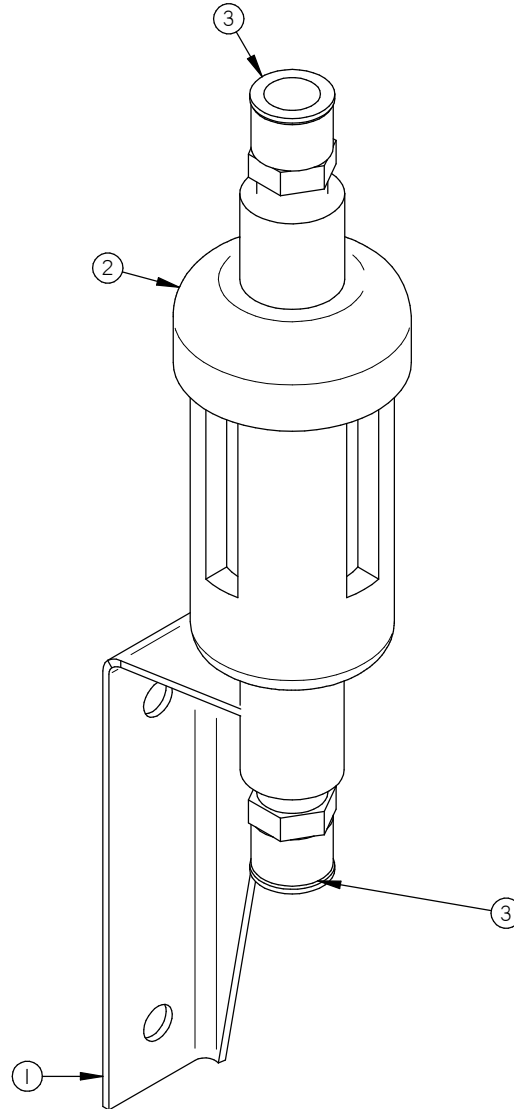
SILICONE ON EACH SIDE AND ON TOP
SILICONE SUR CÔTÉ ET DESSUS

LET.	MODIFICATION	DATE	INT.
------	--------------	------	------

MACHINE	650A	DEPT. TOL. METRIC	INCH	SIPROMAC ST-GERMAIN DE GRANTHAM QUEBEC CANADA
PART	STRUCTURE ASSEMBLY	USINAGE ± 0.1	± 0.004	
		TOLERIE ± 0.5	± 0.020	
		SOUDEAGE ± 0.5	± 0.020	
ITEM	CNC	DEPT.	M-(M)-I	QTY. 1
MAT.	DWG BY SBU	DATE 14-07-16	NO.	005C0465
	APP. BY	DATE		

004A4138

ITEM	PART #	DESCRIPTION	QT.
1	004A4139	VACUUM SENSOR FILTER SUPPORT	1
2	114-2020	FILTER / DRYER 1/4"mnpt. X 1/4"t.p. COMP.	1
3	102-0410	MALE CONN.1/4"MNPTx3/8"T.QUICK	2

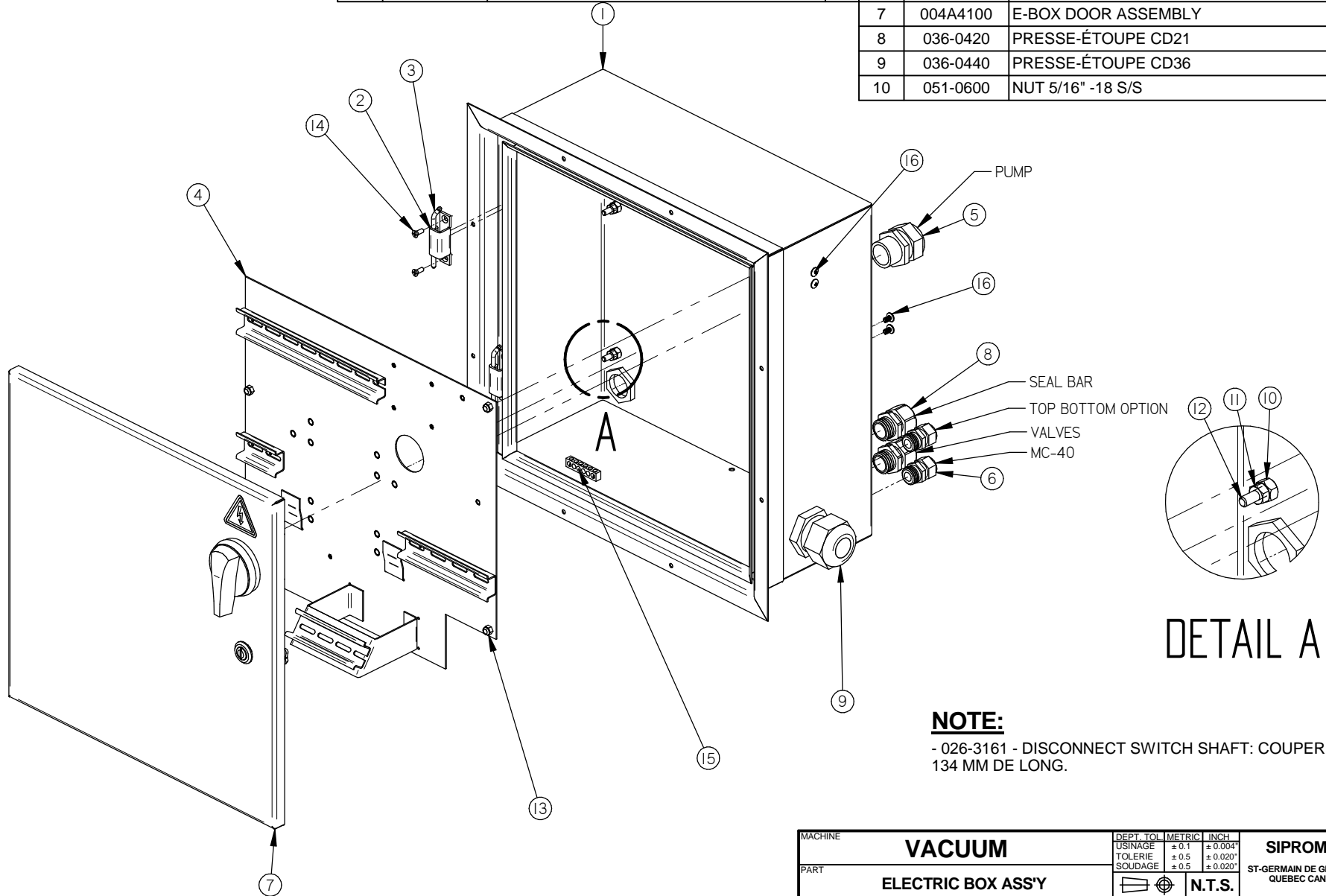


MACHINE		VACUUM		DEPT. TOL.	METRIC	INCH	SIPROMAC ST-GERMAIN DE GRANTHAM QUEBEC CANADA
PART		VACUUM SENSOR FILTER		USINAGE ± 0.1	± 0.004"	N.T.S.	
ITEM		CNC		TOLERIE ± 0.5	± 0.020"		
MAT.		APP. BY SBU		SOUDAGE ± 0.5	± 0.020"		
LET.		MODIFICATION		DATE		INT.	DEPT. M
				DATE 13-11-19			QTY. 1
				DATE			004A4138

LET.	MODIFICATION	DATE	INT.
------	--------------	------	------

004A4098

ITEM	PART #	DESCRIPTION	QT.	ITEM	PART #	DESCRIPTION	QT.
11	051-0580	NUT 1/4"-20 S/S	4	1	004A4099	E-BOX PRE-ASSY	1
12	051-0210	BOLT 1/4"-20nc. X 1" S/S	4	2	056-3010-1	HINGE CONCEALED SS304 - BASE	2
13	051-0581	NUT 1/4"-20 NYLON LOCK S/S	4	3	056-3010-3	HINGE CONCEALED SS304 - PIN	2
14	051-0139	SCREW 10-24 x 1/2" FLAT PHIL S/S	4	4	004A4102	E-BOX FALSE BOTTOM	1
15	028-0105	GROUND BARRIER (6 HOLES)	1	5	036-0430	PRESSE-ÉTOUPE CD29	1
16	051-0128	SCREW 10-24 x 3/8" TRUSS PHIL S/S	4	6	036-0409	PRESSE-ÉTOUPE CD13	3
				7	004A4100	E-BOX DOOR ASSEMBLY	1
				8	036-0420	PRESSE-ÉTOUPE CD21	2
				9	036-0440	PRESSE-ÉTOUPE CD36	1
				10	051-0600	NUT 5/16" -18 S/S	4



DETAIL A

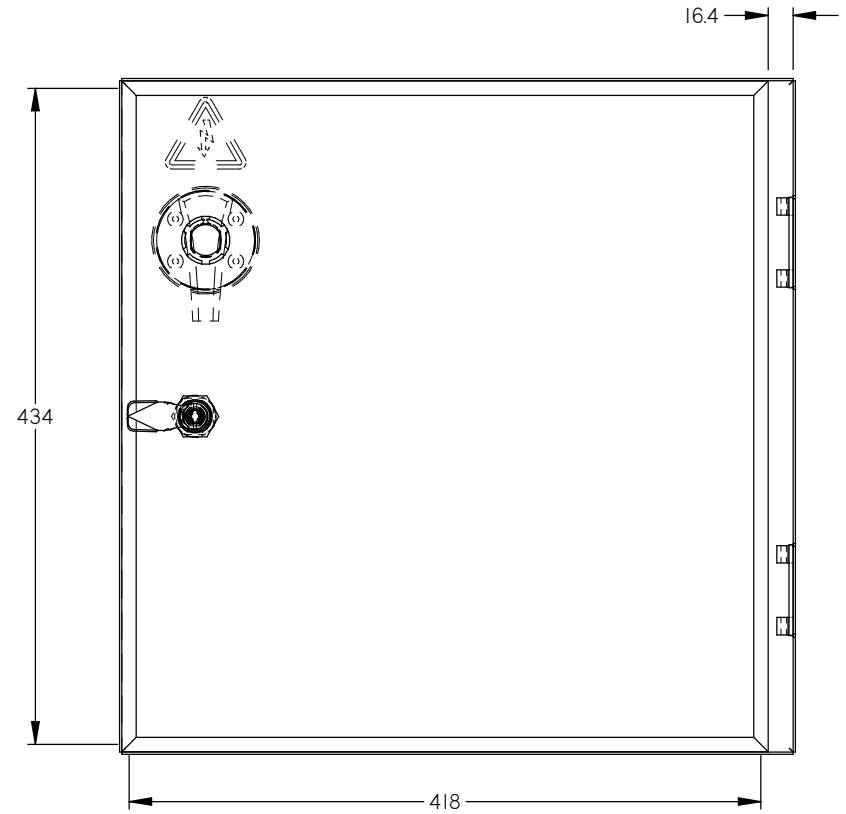
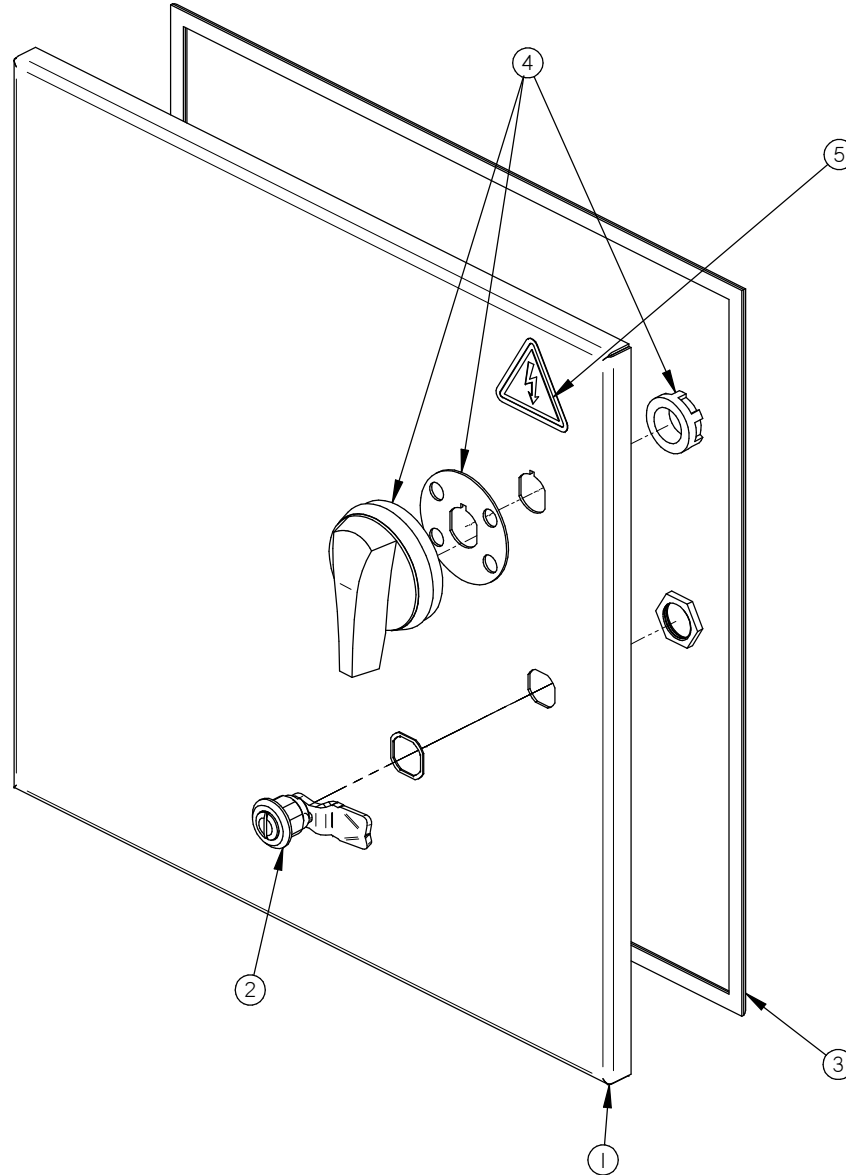
NOTE:
 - 026-3161 - DISCONNECT SWITCH SHAFT: COUPER À 134 MM DE LONG.

LET.	MODIFICATION	DATE	INT.
------	--------------	------	------

MACHINE		VACUUM		DEPT. TOL	METRIC	INCH	SIPROMAC ST-GERMAIN DE GRANTHAM QUEBEC CANADA
PART		ELECTRIC BOX ASS'Y		USINAGE	± 0.1	± 0.004"	
				TOLERIE	± 0.5	± 0.020"	
ITEM	CNC	DEPT.	M	QTY.	1	N.T.S.	
MAT.	DWG BY SBU	DATE 13-09-23	NO. 004A4098				
	APP. BY	DATE					

004A4100

ITEM	PART #	DESCRIPTION	QT.
1	004A4101	E-BOX DOOR PRE-ASSY	1
2	056-2612	CAM LOCK QUARTER TURN SS304	1
3	179-0026	D-SHAPED RUBBER SEAL 1683mm LONG	1
4	026-3160	HANDLE RED/YELLOW NEMA 4X, COMPACT, PADLOCKABLE	1
5	127-0100	STICKER ELEC.HAZARD ISO 2-1/2" TRIANGLE	1

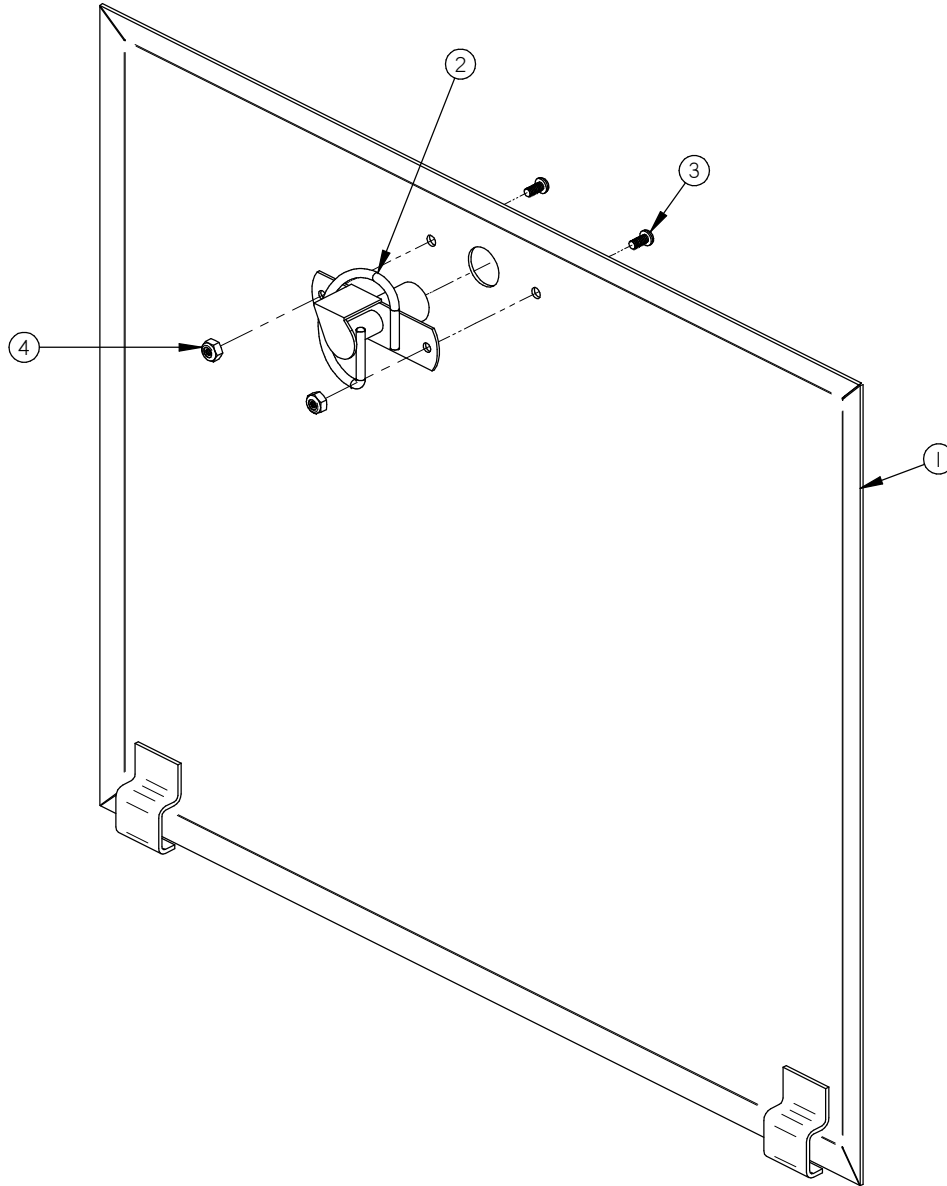


LET.	MODIFICATION	DATE	INT.
------	--------------	------	------

MACHINE		VACUUM		DEPT. TOL.	METRIC	INCH	SIPROMAC ST-GERMAIN DE GRANTHAM QUEBEC CANADA
PART		E-BOX DOOR ASSEMBLY		USINAGE	± 0.1	± 0.004"	
ITEM		CNC		TOLERIE	± 0.5	± 0.020"	
MAT.		APP. BY SBU		DATE	13-09-17	NO.	004A4100
						DEPT.	M
						QTY.	1

004A4090

ITEM	PART #	DESCRIPTION	QT.
1	004A4089	ACCESS PANEL PRE-ASSY	1
2	056-2600	SPRING PAWL LATCHE SS KNOB	1
3	051-0071	SCREW 4-40 x 1/4" RND SLOT S/S	2
4	051-0541	NUT # 4-40 NYLON LOCK SS	2

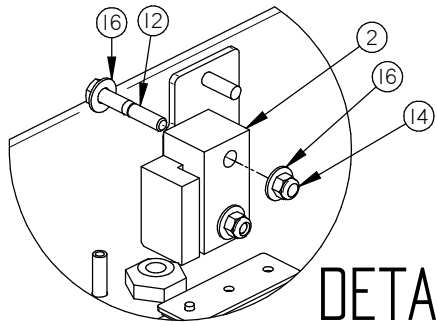


LET.	MODIFICATION	DATE	INT.
------	--------------	------	------

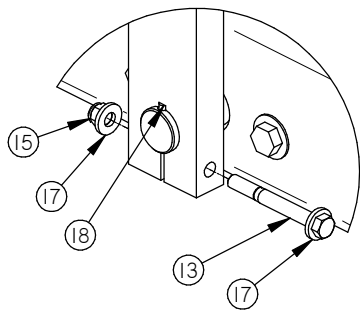
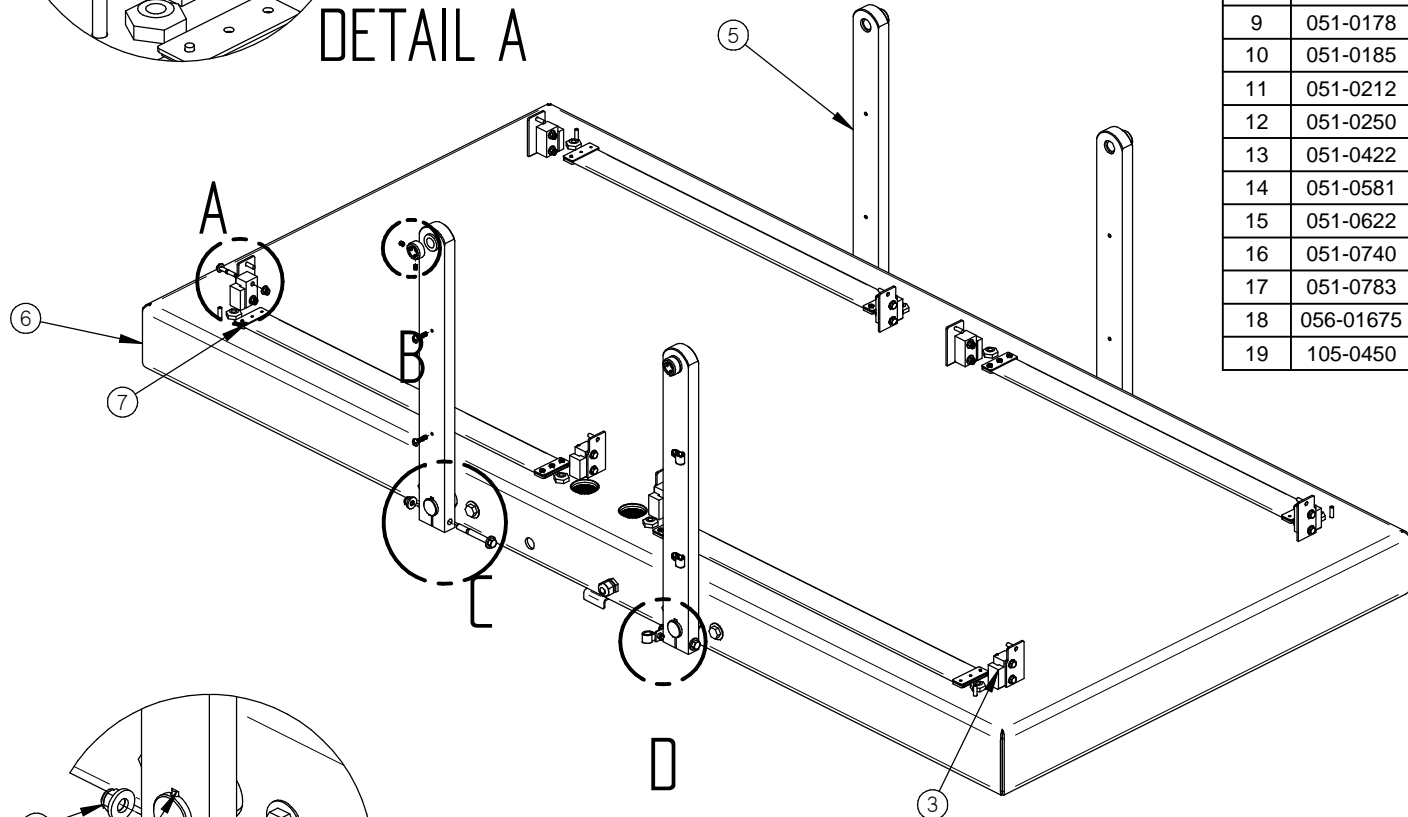
MACHINE		VACUUM		DEPT. TOL.	METRIC	INCH	SIPROMAC ST-GERMAIN DE GRANTHAM QUEBEC CANADA
PART		ACCESS DOOR ASSEMBLY		USINAGE	± 0.1	± 0.004"	
				TOLERIE	± 0.5	± 0.020"	
				SOUDEAGE	± 0.5	± 0.020"	N.T.S.
ITEM		CNC		DEPT.	M	QTY.	1
MAT.		DWG BY	SBU	DATE	13-09-11	NO.	004A4090
		APP. BY		DATE			

005B1518

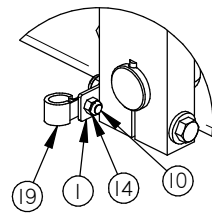
ITEM	PART #	DESCRIPTION	QT.
1	001-1876	LOWER WIRE SUPPORT	1
2	002-0326	LEFT SEAL BAR GUIDE BLOCK	4
3	002-0327	RIGHT SEAL BAR GUIDE BLOCK	4
4	002-0390	COVER ARM COLLAR	4
5	004B0383	COVER ARM ASSY	4
6	004D0137	TABLE ASSEMBLY	1
7	005A0651	BELLOWS ASSEMBLY	4
8	036-0409	PRESSE-ETOUPE CD13	1
9	051-0178	SCREW 1/4"-20 x 5/16" SKT SET S/S	8
10	051-0185	SCREW 1/4"-20x 1/2" PAN PHIL S/S	1
11	051-0212	SCREW 1/4"-20 x 1" PAN PHILL S/S	8
12	051-0250	BOLT 1/4"-20nc. X 1 1/2" S/S	16
13	051-0422	BOLT 3/8"-16nc. X 3 3/4" S/S	4
14	051-0581	NUT 1/4"-20 NYLON LOCK S/S	17
15	051-0622	NUT 3/8"-16nc. NYLON LOCK S/S	4
16	051-0740	WASHER 1/4" FLAT S/S	32
17	051-0783	WASHER 3/8" FLAT THICK S/S	8
18	056-01675	KEY 1/4" SQ. x 1 1/4" ROUNDED END S/S	4
19	105-0450	METAL CABLE CLAMPS #6 SS	3



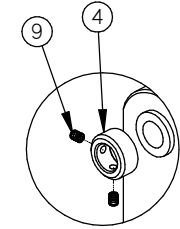
DETAIL A



DETAIL C



DETAIL D

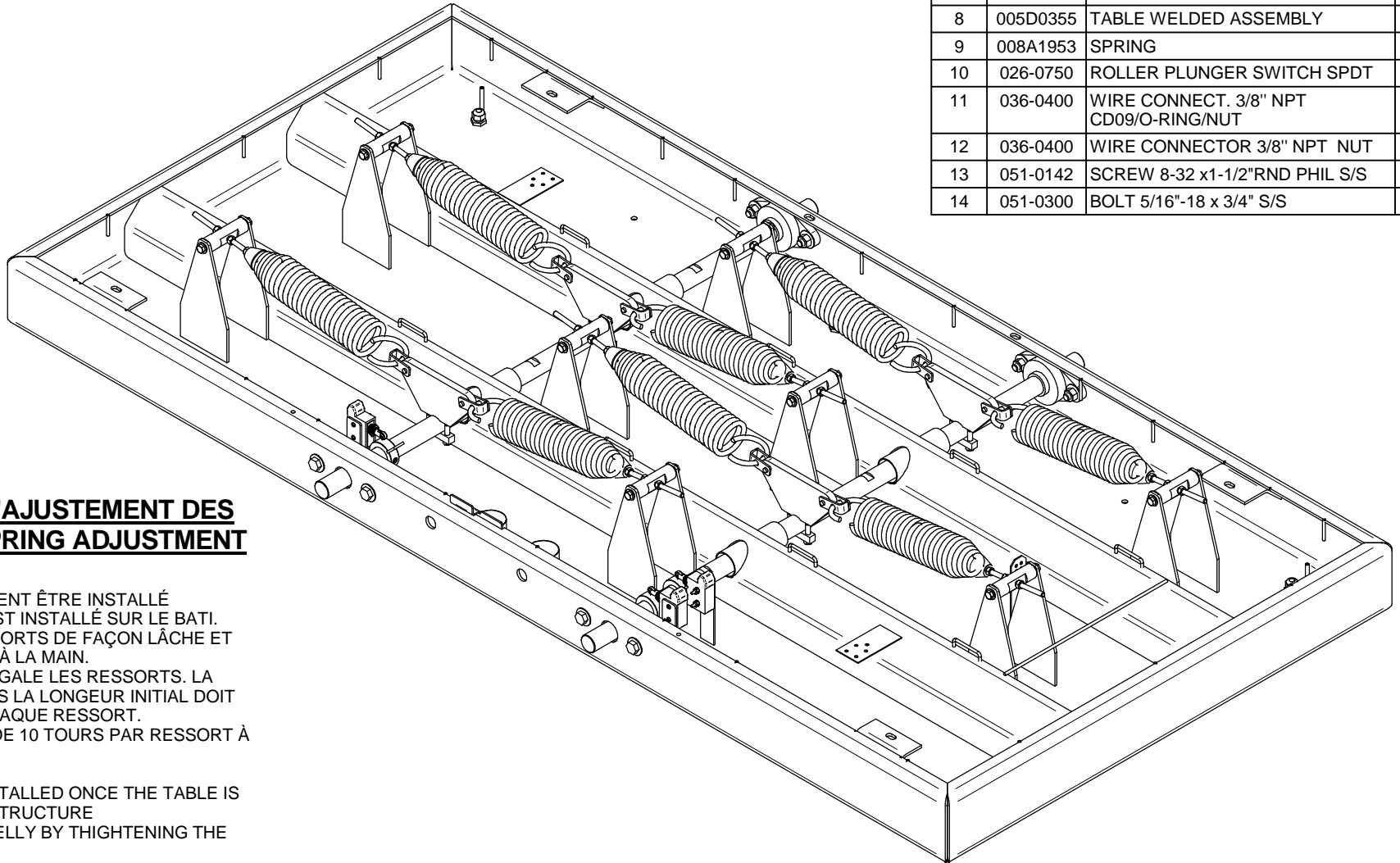


DETAIL B

LET.	MODIFICATION	DATE	INT.
------	--------------	------	------

MACHINE	650A		DEPT. TOL. METRIC	INCH	SIPROMAC ST-GERMAIN DE GRANTHAM QUEBEC CANADA
PART	TABLE ASSEMBLY WARM		USINAGE ± 0.1	± 0.004"	
			TOLERIE ± 0.5	± 0.020"	
			SOUDEAGE ± 0.5	± 0.020"	
ITEM	CNC	DEPT.	M		QTY. 1
MAT.	3D DWG BY AG	DATE 16-09-26	NO. 005B1518		
	2D DWG BY AG	DATE 16-09-26			

ITEM	PART #	DESCRIPTION	QT.	ITEM	PART #	DESCRIPTION	QT.	ITEM	PART #	DESCRIPTION	QT.
20	051-0760	WASHER 5/16" FLAT S/S	16	15	051-0441	BOLT 1/2"-13 x 1 1/2" SS	8	1	002A3941	SPRING ADJ. PIVOT	8
21	051-0790	WASHER 1/2" FLAT S/S	16	16	051-0560	NUT #8-32 NYLON LOCK S/S	6	2	002A4002	SPRING ADJ. PIVOT SPACER	16
22	075-1655	2 BOLT FLANGED BEARING 1-1/4" PLASTIC	4	17	051-0600	NUT 5/16" -18 S/S	16	3	002B0331	CENTRAL SHAFT	2
				18	051-0630	NUT 1/2"-13 S/S	8	4	004A3937	SHACKLE ASS'Y	8
				19	051-0720	WASHER #8 FLAT S/S	6	5	004A3968	SPRING INSERT ASSEMBLY	8
								6	005A1437	MICRO SWITCH COLLAR ASSY	3
								7	005A1517	SPRING BLOCK PRE-ASSY	4
								8	005D0355	TABLE WELDED ASSEMBLY	1
								9	008A1953	SPRING	8
								10	026-0750	ROLLER PLUNGER SWITCH SPDT	3
								11	036-0400	WIRE CONNECT. 3/8" NPT CD09/O-RING/NUT	8
								12	036-0400	WIRE CONNECTOR 3/8" NPT NUT	8
								13	051-0142	SCREW 8-32 x1-1/2"RND PHIL S/S	6
								14	051-0300	BOLT 5/16"-18 x 3/4" S/S	16



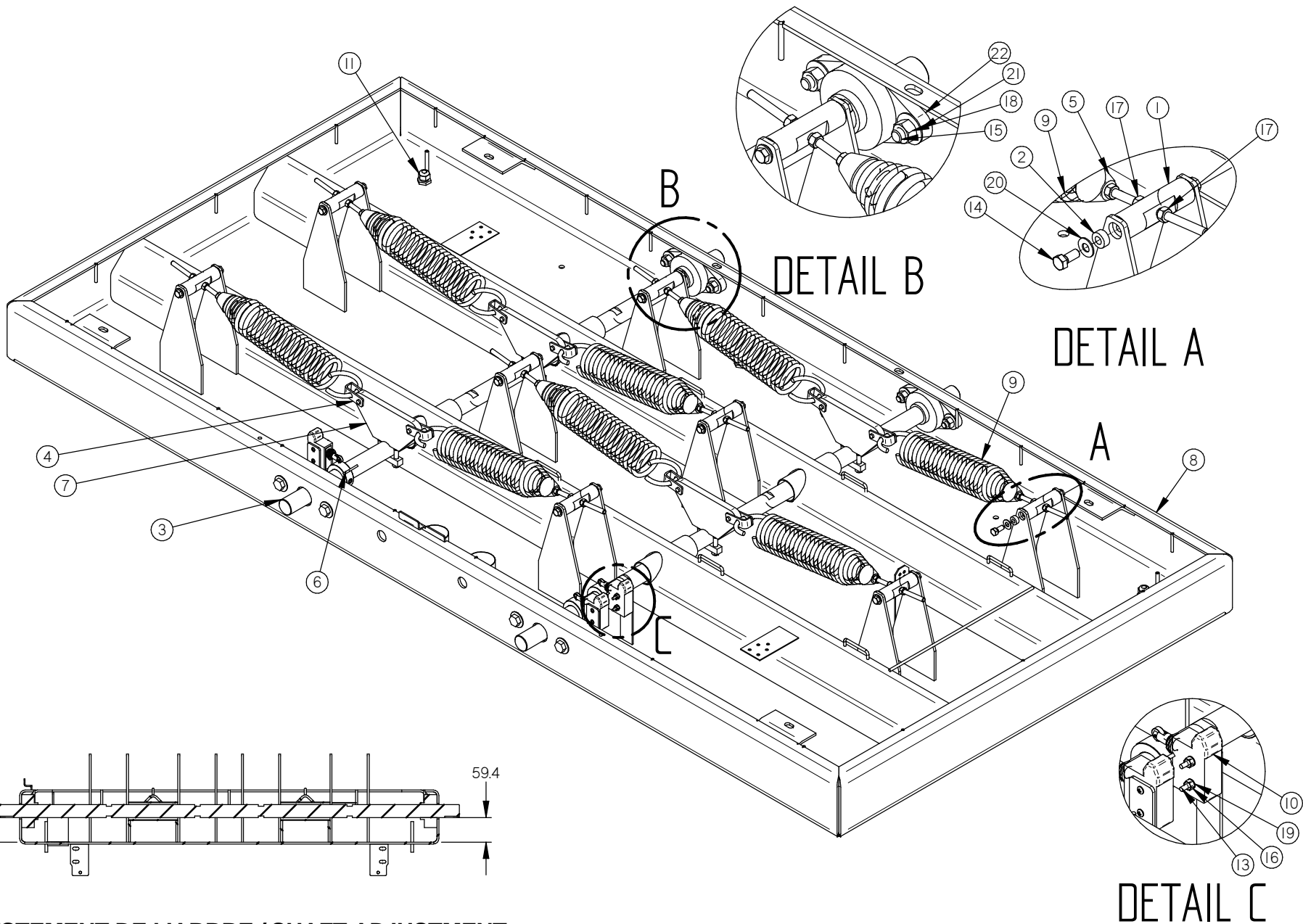
PROCÉDURE D'AJUSTEMENT DES RESSORTS / SPRING ADJUSTMENT PROCEDURE:

- LES RESSORTS DOIVENT ÊTRE INSTALLÉ LORSQUE LA TABLE EST INSTALLÉ SUR LE BATI.
- INSTALLER LES RESSORTS DE FAÇON LÂCHE ET SERRER LES ÉCROUS À LA MAIN.
- TENDRE DE FAÇON ÉGALE LES RESSORTS. LA LONGEUR ÉTIRÉ MOINS LA LONGEUR INITIAL DOIT ÊTRE ÉGALE POUR CHAQUE RESSORT.
- NE PAS FAIRE PLUS DE 10 TOURS PAR RESSORT À LA FOIS

- SPRING MUST BE INSTALLED ONCE THE TABLE IS ASSEMBLED ON THE STRUCTURE
- INSTALL THEM LOOSELY BY THIGHTENING THE NUT BY HAND
- TENSION SPRING EQUALLY. THE STRECHTED LENGTH MINUS THE INITIAL LENGTH MUST BE THE SAME ON EACH SPRING.
- DO NOT STRETCH THE SPRING BY MORE THAN 10 NUT TURN AT A TIME PER SPRING.

LET.	MODIFICATION	DATE	INT.
------	--------------	------	------

MACHINE	650A			DEPT. TOL. METRIC	INCH	SIPROMAC ST-GERMAIN DE GRANTHAM QUEBEC CANADA
PART	TABLE ASSEMBLY			USINAGE ± 0.1 ± 0.004"	TOLERIE ± 0.5 ± 0.020"	
ITEM	CNC	DATE	16-09-26	SOUDEAGE ± 0.5 ± 0.020"	N.T.S.	
MAT.	3D DWG BY	AG	DATE	16-09-26	NO.	1
	2D DWG BY	AG	DATE	16-09-26	004D0137	



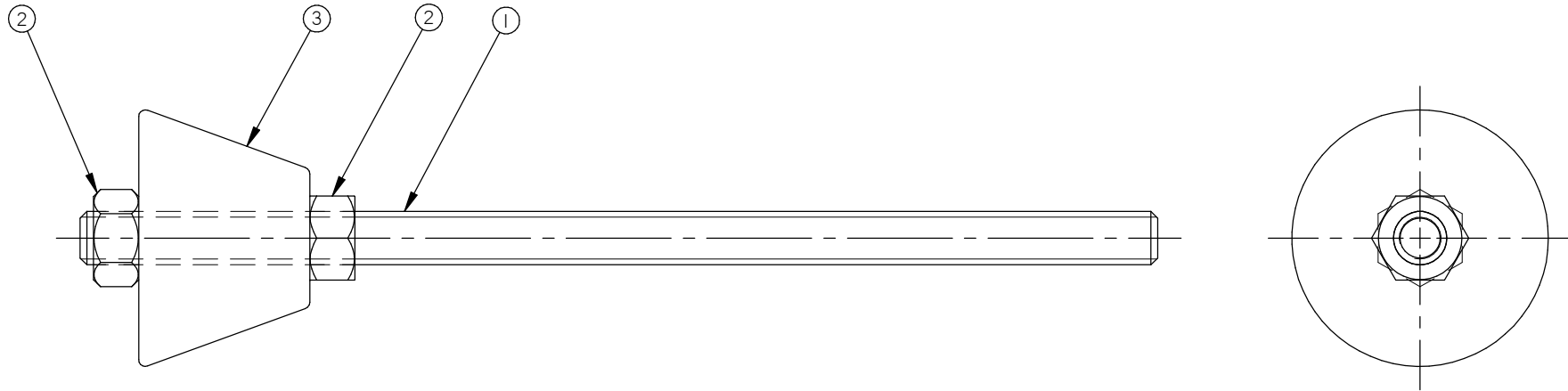
AJUSTEMENT DE L'ARBRE / SHAFT ADJUSTMENT

- UTILISER LES CALES POUR POSITIONNER L'ARBRE
- CENTRER L'ARBRE HORIZONTALEMENT DANS LE TROU DE LA TABLE
- USE BLOC TO SPACE THE SHAFT ACCORDINGLY
- CENTER SHAFT HORIZONTALLY IN THE TABLE HOLE

MACHINE	650A	DEPT. TOL.	METRIC	INCH	SIPROMAC ST-GERMAIN DE GRANTHAM QUEBEC CANADA
PART	TABLE ASSEMBLY	USINAGE	± 0.1	± 0.004"	
		TOLERIE	± 0.5	± 0.020"	
		SOUDEAGE	± 0.5	± 0.020"	N.T.S.
ITEM	CNC	DEPT.	M-I		QTY. 1
MAT.	3D DWG BY AG	DATE	16-09-26		NO. 004D0137
	2D DWG BY	DATE			

004A3968

ITEM	PART #	DESCRIPTION	QT.
1	002A3989	SPRING ADJUSTMENT ROD	1
2	051-0600	NUT 5/16" -18 S/S	2
3	002B3940	SPRING INSERT	1



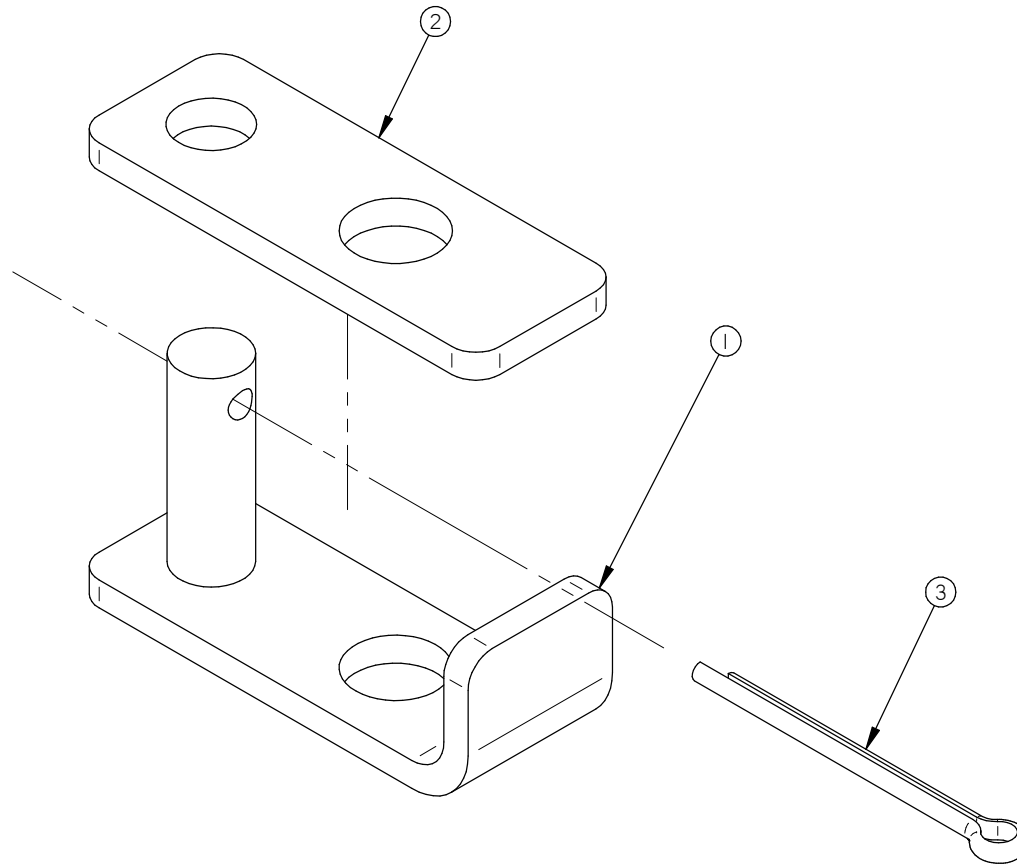
650A	8
620A	4
600A	4
420A	2
MACHINE	QTY

B	AJOUT 420A ET 650A	14-08-04	SBU
A	AJOUTER 620A	13-01-23	J.G.
LET.	MODIFICATION	DATE	INT.

MACHINE	VACUUM		DEPT. TOL.	METRIC	INCH	SIPROMAC ST-GERMAIN DE GRANTHAM QUEBEC CANADA
PART	SPRING INSERT ASSEMBLY		USINAGE	± 0.1	± 0.004"	
ITEM			TOLERIE	± 0.5	± 0.020"	
MAT.			SOUDEGE	± 0.5	± 0.020"	N.T.S.
			APP. BY	J.G.	DATE	13-01-15 NO. 004A3968
						M-(M) QTY LISTE

004A3937

ITEM	PART #	DESCRIPTION	QT.
1	004A3935	SHACKLE PRE-ASS'Y	1
2	001A6269	SHACKLE PLATE	1
3	056-0118	COTTER PIN 3/32" x 1" S/S	1



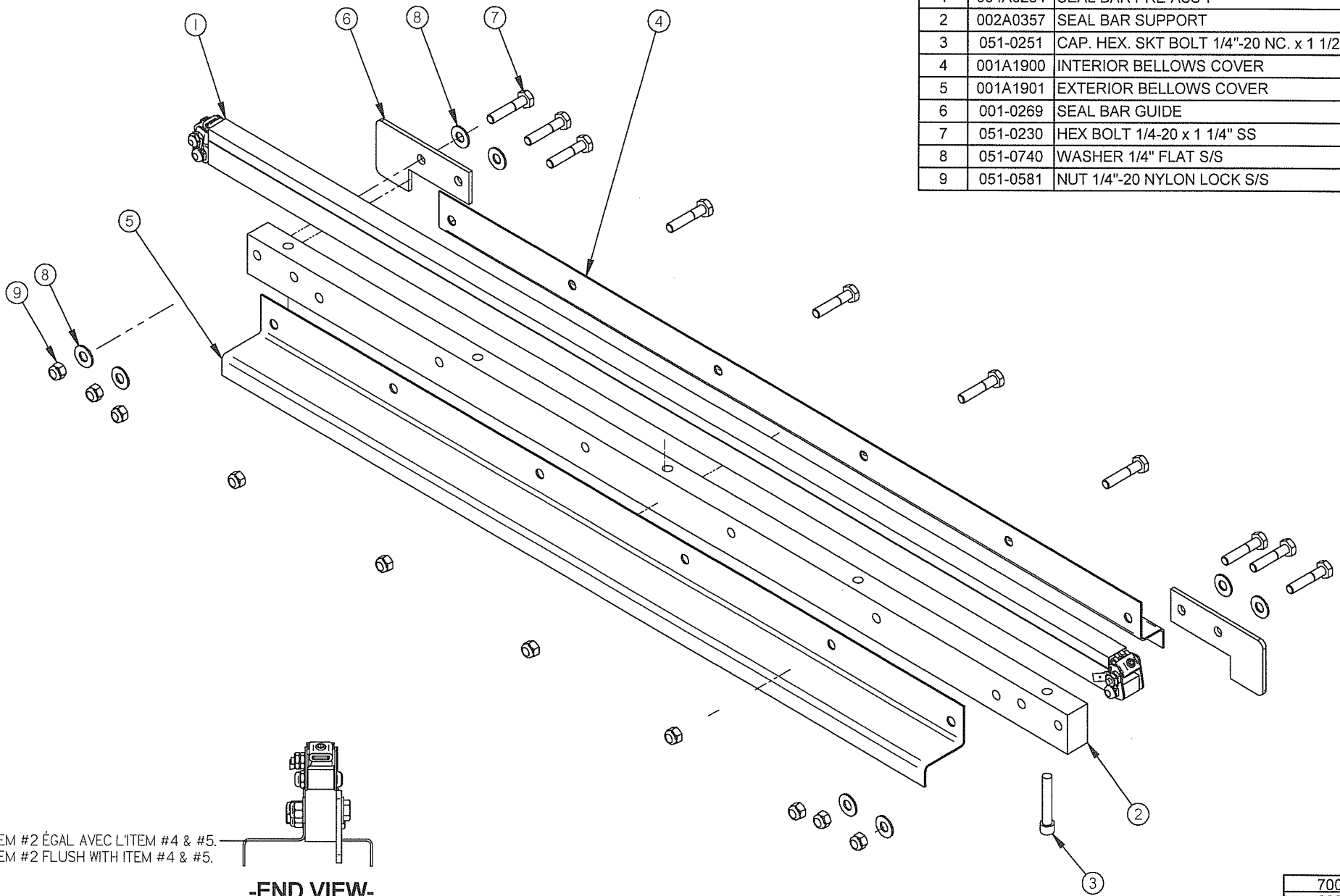
650A	8
620A	4
600A	4
420A	2
MACHINE	QTY

B	AJOUT 420A ET 650A	14-08-04	SBU
A	AJOUTER 620A	13-01-23	J.G.
LET.	MODIFICATION	DATE	INT.

MACHINE	VACUUMS			DEPT. TOL.	METRIC	INCH.	SIPROMAC ST-GERMAIN DE GRANTHAM QUEBEC CANADA
PART	SHACKLE ASS'Y			USINAGE	± 0.1	± 0.004"	
				TOLERIE	± 0.5	± 0.020"	
ITEM				SOUDEAGE	± 0.5	± 0.020"	N.T.S.
MAT.							
	CNC			DEPT.	M-(M)		QTY
	DWG BY	J.G.		DATE	12-11-06		NO.
	APP. BY			DATE			004A3937

005C0547

ITEM	PART #	DESCRIPTION	QTY.
1	004A0254	SEAL BAR PRE-ASS'Y	1
2	002A0357	SEAL BAR SUPPORT	1
3	051-0251	CAP. HEX. SKT BOLT 1/4"-20 NC. x 1 1/2"	5
4	001A1900	INTERIOR BELLOWS COVER	1
5	001A1901	EXTERIOR BELLOWS COVER	1
6	001-0269	SEAL BAR GUIDE	2
7	051-0230	HEX BOLT 1/4-20 x 1 1/4" SS	10
8	051-0740	WASHER 1/4" FLAT S/S	8
9	051-0581	NUT 1/4"-20 NYLON LOCK S/S	10



-ITEM #2 ÉGAL AVEC L'ITEM #4 & #5.
 -ITEM #2 FLUSH WITH ITEM #4 & #5.

-END VIEW-

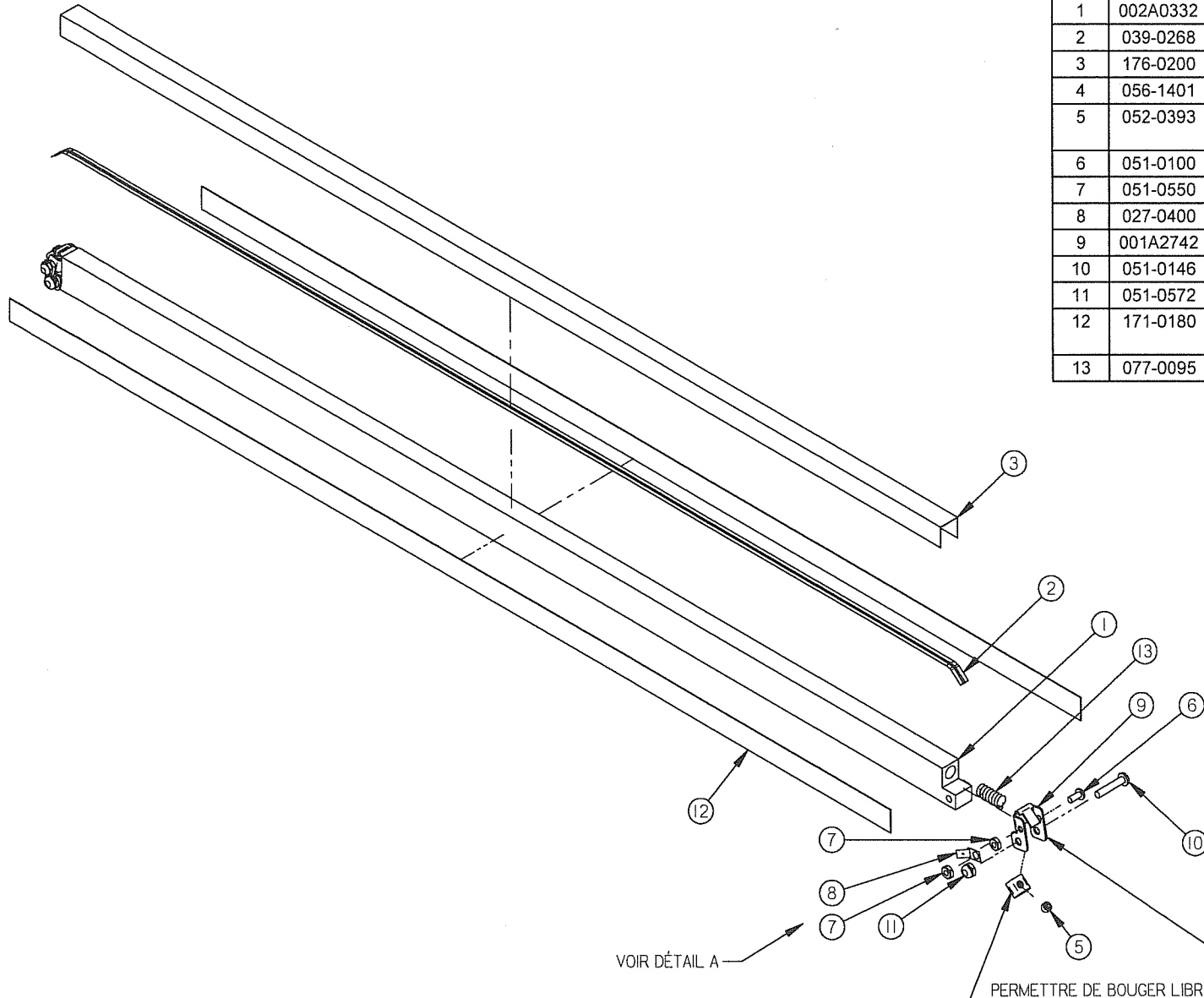
-TWIN SEAL OPTION-

700A	4
680A	4
650A	4
MACHINE	QTY

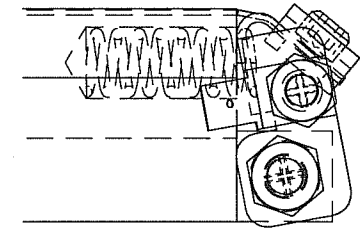
MACHINE 650A, 680A & 700A		DEPT. TOL. METRIC	INCH	SIPROMAC	
PART SEAL BAR ASS'Y W/SUPPORT		USINAGE ± 0.1	± 0.004"	ST-GERMAIN DE GRANTHAM QUEBEC CANADA	
ITEM		TOLERIE ± 0.5	± 0.020"	N.T.S.	
MAT.		SOUDEGE ± 0.5	± 0.020"	M-I(M) QTY LIST	
DWG BY APP. BY		DATE	NO.	005C0547	

G	REDRAWN / REMOVED WIRE DUCT	12-04-12	CF
LET.	MODIFICATION	DATE	INT.

004A0254



ITEM	PART #	DESCRIPTION	QT.
1	002A0332	SEAL BAR	1
2	039-0268	DOUBLE SEAM BAND (8MM) (3.1)	1
3	176-0200	TEFLON TAPE 5MIL (0.104)	1
4	056-1401	3/8"SET SCREW BANDING BUCKLE S/S	2
5	052-0393	SCREW 1/4-28x3/16"SKT SET OVAL POINT ZINC	2
6	051-0100	SCREW 8-32 X 3/8" PAN PHIL S/S	2
7	051-0550	NUT #8-32 SS	4
8	027-0400	CONNECTOR ADAPTOR	2
9	001A2742	8mm ELEMENT BINDER	2
10	051-0146	SCREW 10-24 X 1" PAN PHIL S/S	2
11	051-0572	LOCK NUT #10-24 S/S	2
12	171-0180	TAPE CLEAR SUPER BOND 3/4" 854.5mm (0.026)	2
13	077-0095	SPRING C 0360-059-1250 S/S	2



-DÉTAIL A-

VOIR DÉTAIL A

INSTALLER CONTRE L'ENCOCHE DE L'ITEM #9 (4) INSTALL AGAINST NOTCH OF ITEM #9

PERMETTRE DE BOUGER LIBREMENT (9) ALLOW TO MOVE FREELY

-TWIN SEAL OPTION-

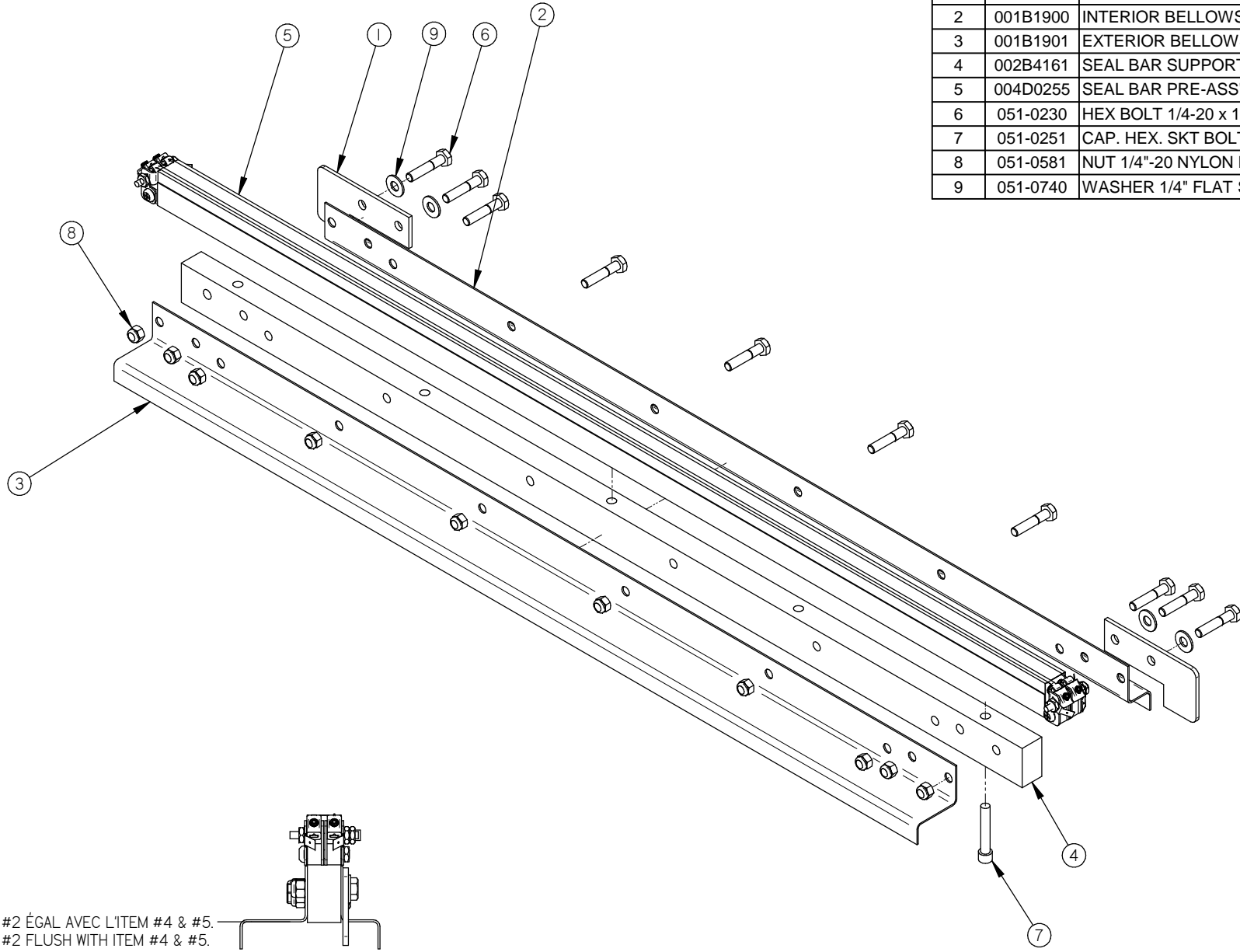
700A	4
680A	4
650A	4
580A	2
MACHINE	QTY

F	MODIF. A-453 AJOUTER 077-0095	10-06-01	J.G.
E	ADDED 052-0393	06-04-19	M.A.
D	REDRAWN	06-01-16	M.A.
LET	MODIFICATION	DATE	INT.

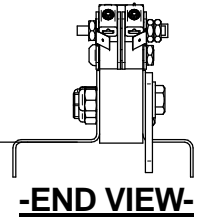
MACHINE 580A, 650A, 680A & 700A		DEPT TOL METRIC INCH	SIPROMAC ST-GERMAIN DE GRANTHAM QUEBEC CANADA
PART SEAL BAR PRE-ASSY		USINAGE ± 0.1 ± 0.004 TOLERIE ± 0.5 ± 0.020 SOUDAGE ± 0.5 ± 0.020	
ITEM	CNC	N.T.S.	
MAT.	DWG BY M.A.L.	DATE 06-01-16	DEPT. M-(M)-1 QTY LISTE
	APP. BY D	DATE 10-09-14	004A0254

005F0548

ITEM	PART #	DESCRIPTION	QT.
1	001-0269	SEAL BAR GUIDE	2
2	001B1900	INTERIOR BELLOWS COVER	1
3	001B1901	EXTERIOR BELLOWS COVER	1
4	002B4161	SEAL BAR SUPPORT (ECO)	1
5	004D0255	SEAL BAR PRE-ASS'Y	1
6	051-0230	HEX BOLT 1/4-20 x 1 1/4" SS	10
7	051-0251	CAP. HEX. SKT BOLT 1/4"-20 NC. x 1 1/2"	5
8	051-0581	NUT 1/4"-20 NYLON LOCK S/S	10
9	051-0740	WASHER 1/4" FLAT S/S	4



-ITEM #2 ÉGAL AVEC L'ITEM #4 & #5.
 -ITEM #2 FLUSH WITH ITEM #4 & #5.



-BAG CUT OPTION-

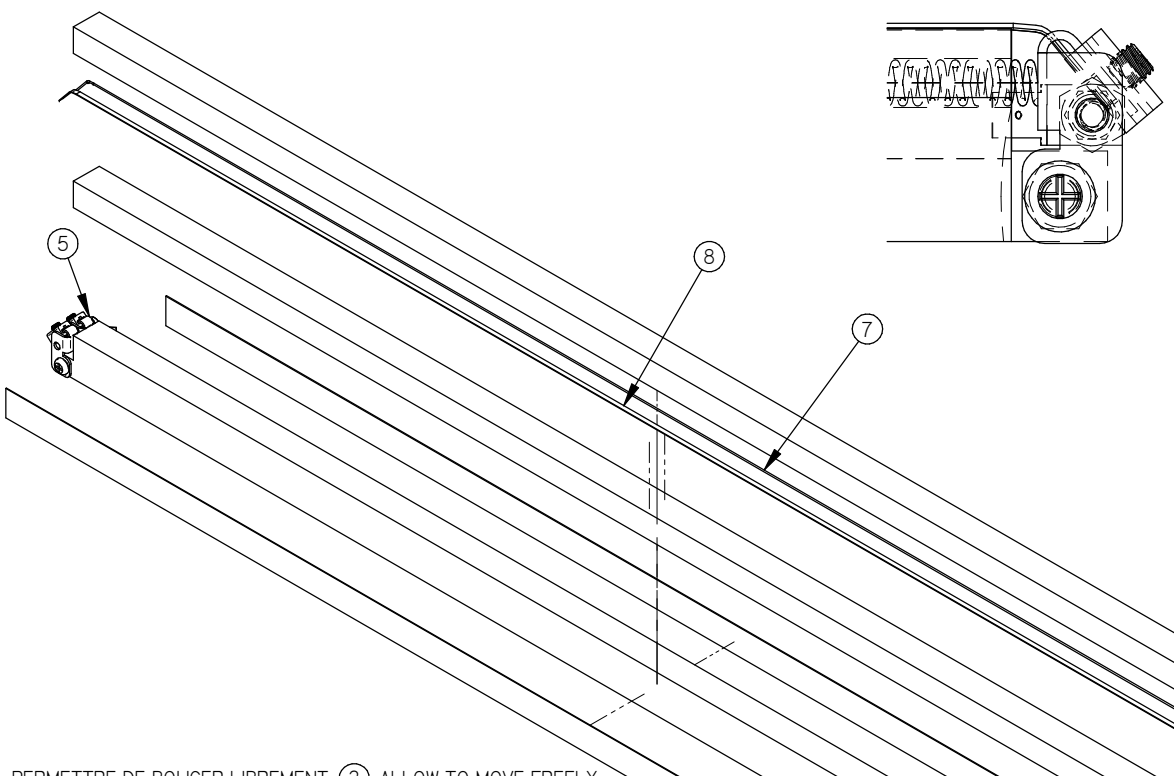
700A	4
680A	4
650A	4
MACHINE	QTY

MACHINE 650A, 680A & 700A		DEPT. TOL. METRIC	INCH	SIPROMAC ST-GERMAIN DE GRANTHAM QUEBEC CANADA
PART SEAL BAR ASS'Y W/SUPPORT		USINAGE ± 0.1	± 0.004"	
		TOLERIE ± 0.5	± 0.020"	
		SOUDAGE ± 0.5	± 0.020"	N.T.S.
ITEM	CNC	DEPT.	M-I-(M) QTY LISTE	
MAT.	DWG BY S.L.	DATE 14-02-12	NO. 005F0548	
	APP. BY	DATE		

LET.	MODIFICATION	DATE	INT.

004D0255

ITEM	PART #	DESCRIPTION	QT.
1	001A6660	ECO ELEMENT BINDER	2
2	002A4171	SEAL BAR	1
3	002A4172	BANDING BUCKLE	4
4	005A1443	ELEMENT BINDER RIGHT ECO	1
5	005A1444	ELEMENT BINDER LEFT ECO	1
6	027-0400	CONNECTOR ADAPTOR	2
7	039-0213	ROUND CUT-OFF ELEMENT 1.2MM	1
8	039-0224	TAPERED BAND 3MM X 0.4MM	1
9	051-0146	SCREW 10-24 X 1" PAN PHIL S/S	1
10	051-0146	SCREW 10-24 X 1" PAN PHIL S/S	1
11	051-01752	SET SCREW 10-32 SS 3/16"	2
12	051-01752	SET SCREW 10-32 SS 3/16"	2
13	051-0550	NUT #8-32 SS	4
14	077-0014	SPRING C0240-040-1250 SS COMP.	4
15	171-0180	TAPE CLEAR SUPER BOND 3/4" 854.5mm (0.026)	2
16	176-0200	TEFLON TAPE, 5MIL	1
17	176-0203	TEFLON TAPE UNCOATED 5MIL (0.78)	1

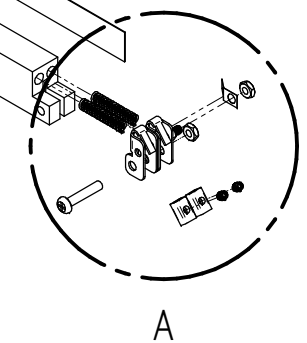
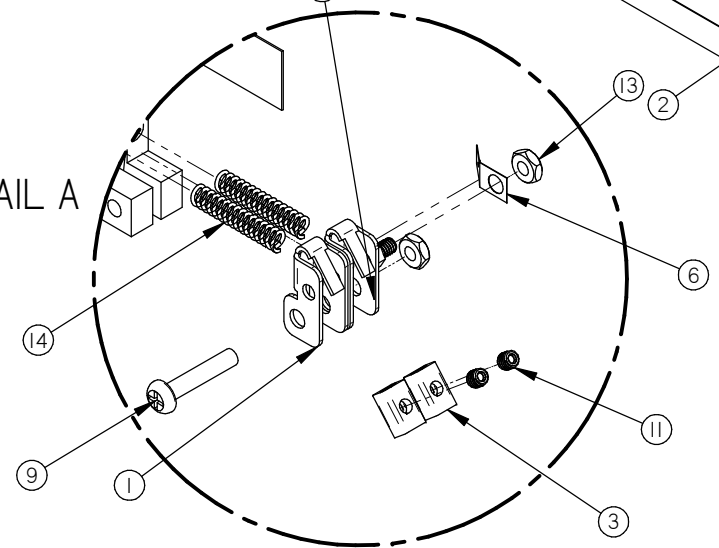


OVER THE ELEMENT (17) INSTALLÉ SUR L'ÉLÉMENT

UNDER THE ELEMENT (16) INSTALLÉ SOUS L'ÉLÉMENT

PERMETTRE DE BOUGER LIBREMENT (3) ALLOW TO MOVE FREELY

DETAIL A



-BAG CUT (ECO) -

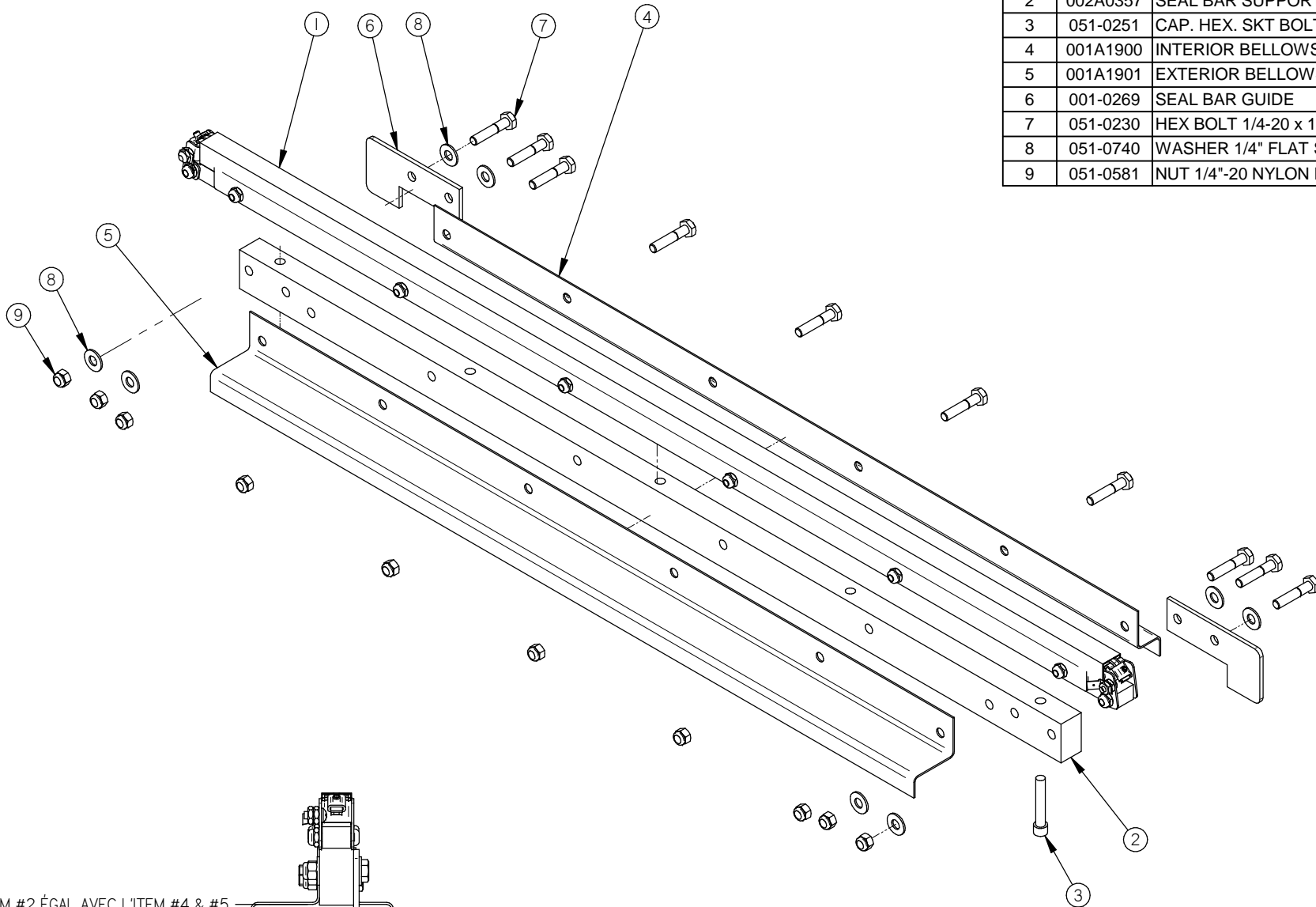
700A	4
680A	4
650A	4
MACHINE	QTY

B	ELEMENT WAS 039-02115 & 039-0222	17-01-06	AG
A	CHANGED IN THE ELEMENT BINDER	15-09-11	AG
LET.	MODIFICATION	DATE	INT.

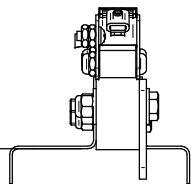
MACHINE 650A , 680A & 700A		DEPT. TOL. METRIC	INCH	SIPROMAC ST-GERMAIN DE GRANTHAM QUEBEC CANADA
PART SEAL BAR PRE-ASS'Y		USINAGE ± 0.1 ± 0.004	TOLERIE ± 0.5 ± 0.020	
ITEM _____		CNC _____		N.T.S.
MAT. _____		DWG BY S.L. DATE 14-02-12		
		APP. BY _____ DATE _____		DEPT. M-(M)-I QTY LISTE
				004D0255

005D0549

ITEM	PART #	DESCRIPTION	QT.
1	004B0256	SEAL BAR PRE-ASS'Y	1
2	002A0357	SEAL BAR SUPPORT	1
3	051-0251	CAP. HEX. SKT BOLT 1/4"-20 NC. x 1 1/2"	5
4	001A1900	INTERIOR BELLOWS COVER	1
5	001A1901	EXTERIOR BELLOWS COVER	1
6	001-0269	SEAL BAR GUIDE	2
7	051-0230	HEX BOLT 1/4-20 x 1 1/4" SS	10
8	051-0740	WASHER 1/4" FLAT S/S	8
9	051-0581	NUT 1/4"-20 NYLON LOCK S/S	10



-ITEM #2 ÉGAL AVEC L'ITEM #4 & #5.
 -ITEM #2 FLUSH WITH ITEM #4 & #5.



-END VIEW-

-TOP & BOTTOM SEALING OPTION-

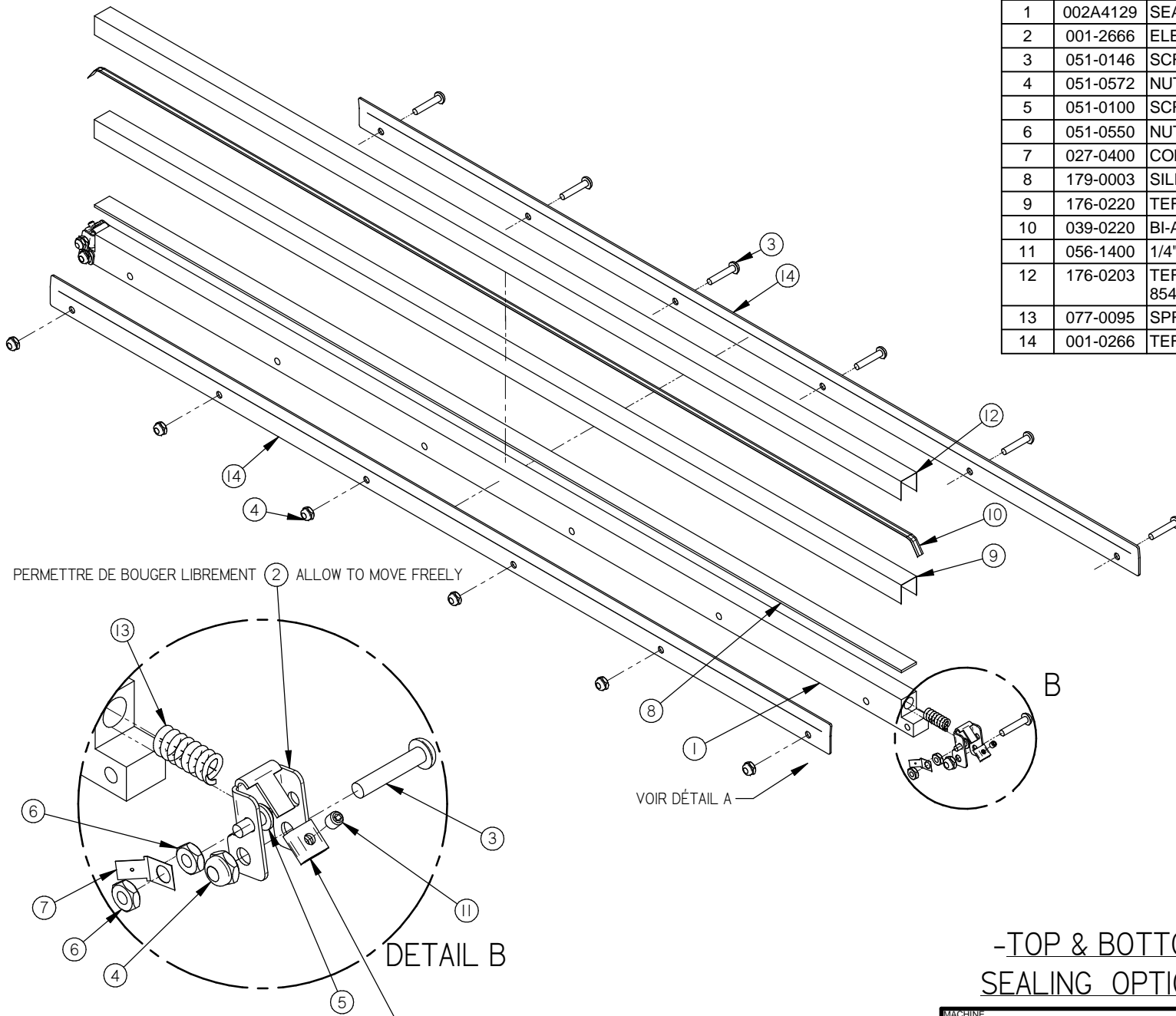
700A	4
680A	4
650A	4
MACHINE	QTY

MACHINE		DEPT. TOL. METRIC		INCH		SIPROMAC	
650A, 680A & 700A		USINAGE	± 0.1	± 0.004"	ST-GERMAIN DE GRANTHAM QUEBEC CANADA		
PART		TOLERIE	± 0.5	± 0.020"			
SEAL BAR ASS'Y W/SUPPORT		SOUDAGE	± 0.5	± 0.020"			
ITEM		CNC		N.T.S.		M-I (M) LIST	
MAT.		DWG BY SBU		DATE 13-08-12		NO. 005D0549	
LET.		APP. BY		DATE			

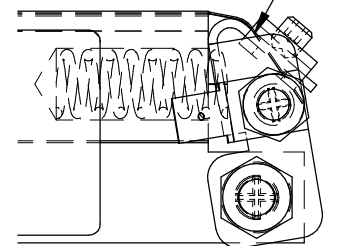
I	004B0256 WAS 004A0256	13-08-12	SBU
LET.	MODIFICATION	DATE	INT.

004B0256

ITEM	PART #	DESCRIPTION	QT.
1	002A4129	SEAL BAR	1
2	001-2666	ELEMENT BINDER	2
3	051-0146	SCREW 10-24 X 1" PAN PHIL S/S	8
4	051-0572	NUT #10-24 NYLON LOCK S/S	8
5	051-0100	SCREW 8-32 X 3/8" PAN PHIL S/S	2
6	051-0550	NUT #8-32 SS	4
7	027-0400	CONNECTOR ADAPTOR	2
8	179-0003	SILICONE 2mm x 15mm (0.9)	1
9	176-0220	TEFLON TAPE, PRESS SENSITIVE 2" (0.104)	1
10	039-0220	BI-ACTIVE SEALING ELEMENT (0.09)	1
11	056-1400	1/4" SET SCREW BANDING BUCKLE S/S	2
12	176-0203	TEFLON TAPE, 5MIL UNCOATED ZONE 854.5mm (0.085)	1
13	077-0095	SPRING C 0360-059-1250 S/S	2
14	001-0266	TEFLON HOLD DOWN PLATE	2



BEND AFTER SEAL BAND
INSTALLATION
PLIER APRES L'INSTALLATION
DE LA BANDE DE SCELLAGE



-DÉTAIL A-

PERMETTRE DE BOUGER LIBREMENT ② ALLOW TO MOVE FREELY

VOIR DÉTAIL A

DETAIL B

INSTALLER CONTRE L'ENCOCHE DE L'ITEM #2 ⑪ INSTALL AGAINST NOTCH OF ITEM #2

-TOP & BOTTOM
SEALING OPTION-

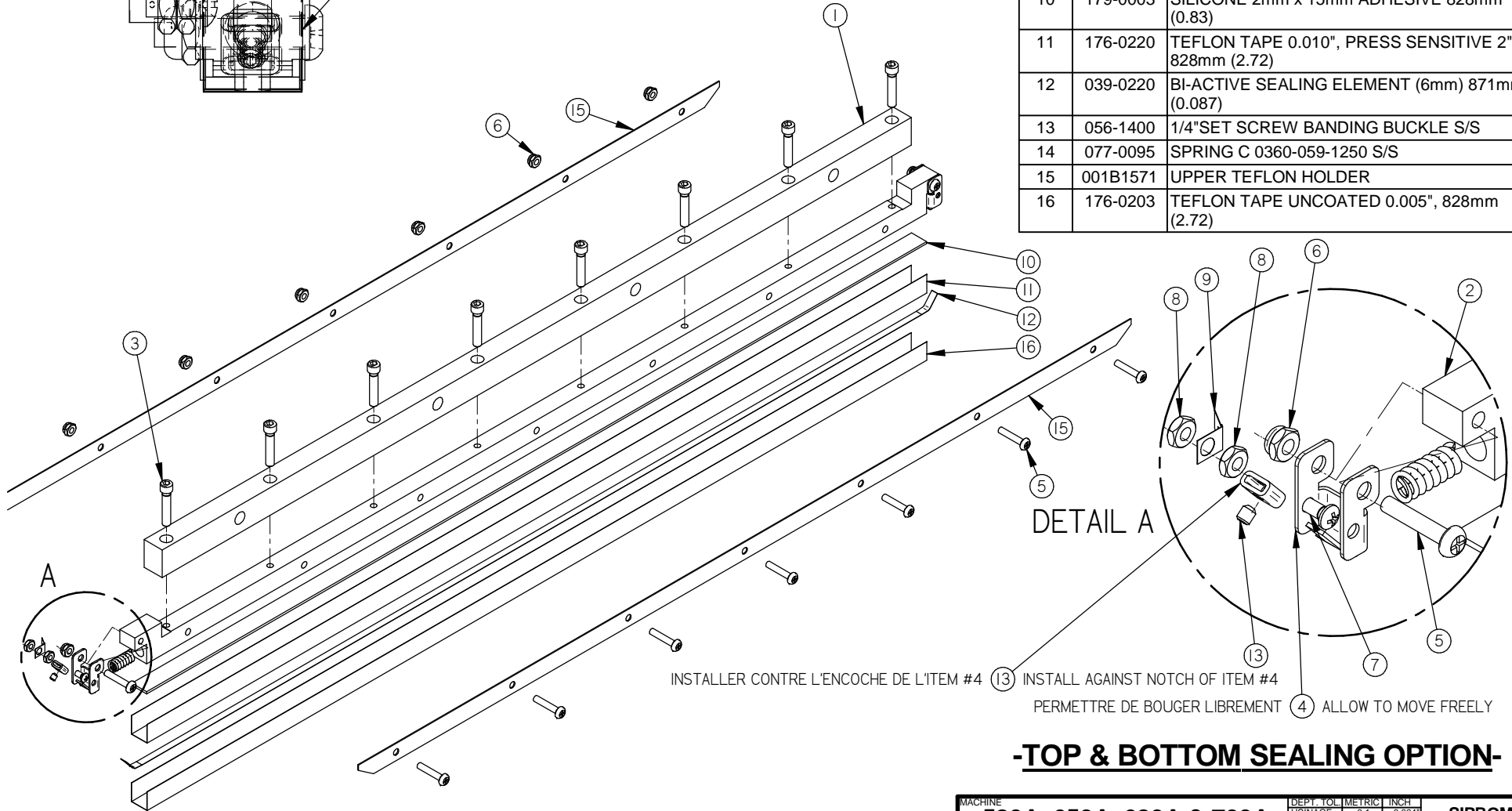
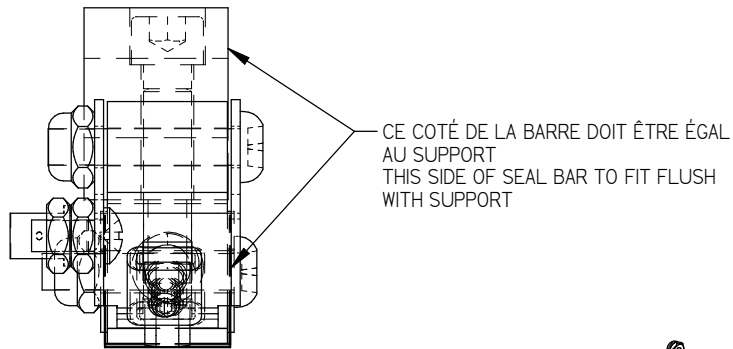
700A	4
680A	4
650A	4
580A	2
MACHINE	QTY

MACHINE		DEPT. TOL. METRIC		INCH		SIPROMAC	
580A, 650A, 680A & 700A		USINAGE	± 0.1	± 0.004"	ST-GERMAIN DE GRANTHAM		
PART		TOLERIE	± 0.5	± 0.020"	QUEBEC CANADA		
SEAL BAR PRE-ASSY		SOUDAGE	± 0.5	± 0.020"	MACHINE		
ITEM		CNC		DEPT.		M-(M)-I	
MAT.		DWG BY SBU		DATE 13-08-12		QTY LISTE	
		APP. BY		DATE		004B0256	

G	AJOUT PINCE TEFLON, CHANGE TEFLON	13-08-12	SBU
LET.	MODIFICATION	DATE	INT.

005C0437

ITEM	PART #	DESCRIPTION	QT.
1	002B0378	UPPER SEAL BAR SUPPORT	1
2	002C0396	UPPER SEAL BAR	1
3	051-0232	SCREW 1/4-20x 1-1/4"SKT CAP SS	8
4	001-2666	ELEMENT BINDER	2
5	051-0146	SCREW 10-24 X 1" PAN PHIL S/S	9
6	051-0572	NUT #10-24 NYLON LOCK S/S	9
7	051-0104	SCREW 8-32 x 3/8" RND PHIL S/S	2
8	051-0550	NUT #8-32 SS	4
9	027-0400	CONNECTOR ADAPTOR	2
10	179-0003	SILICONE 2mm x 15mm ADHESIVE 828mm (0.83)	1
11	176-0220	TEFLON TAPE 0.010", PRESS SENSITIVE 2" 828mm (2.72)	1
12	039-0220	BI-ACTIVE SEALING ELEMENT (6mm) 871mm (0.087)	1
13	056-1400	1/4"SET SCREW BANDING BUCKLE S/S	2
14	077-0095	SPRING C 0360-059-1250 S/S	2
15	001B1571	UPPER TEFLON HOLDER	2
16	176-0203	TEFLON TAPE UNCOATED 0.005", 828mm (2.72)	1



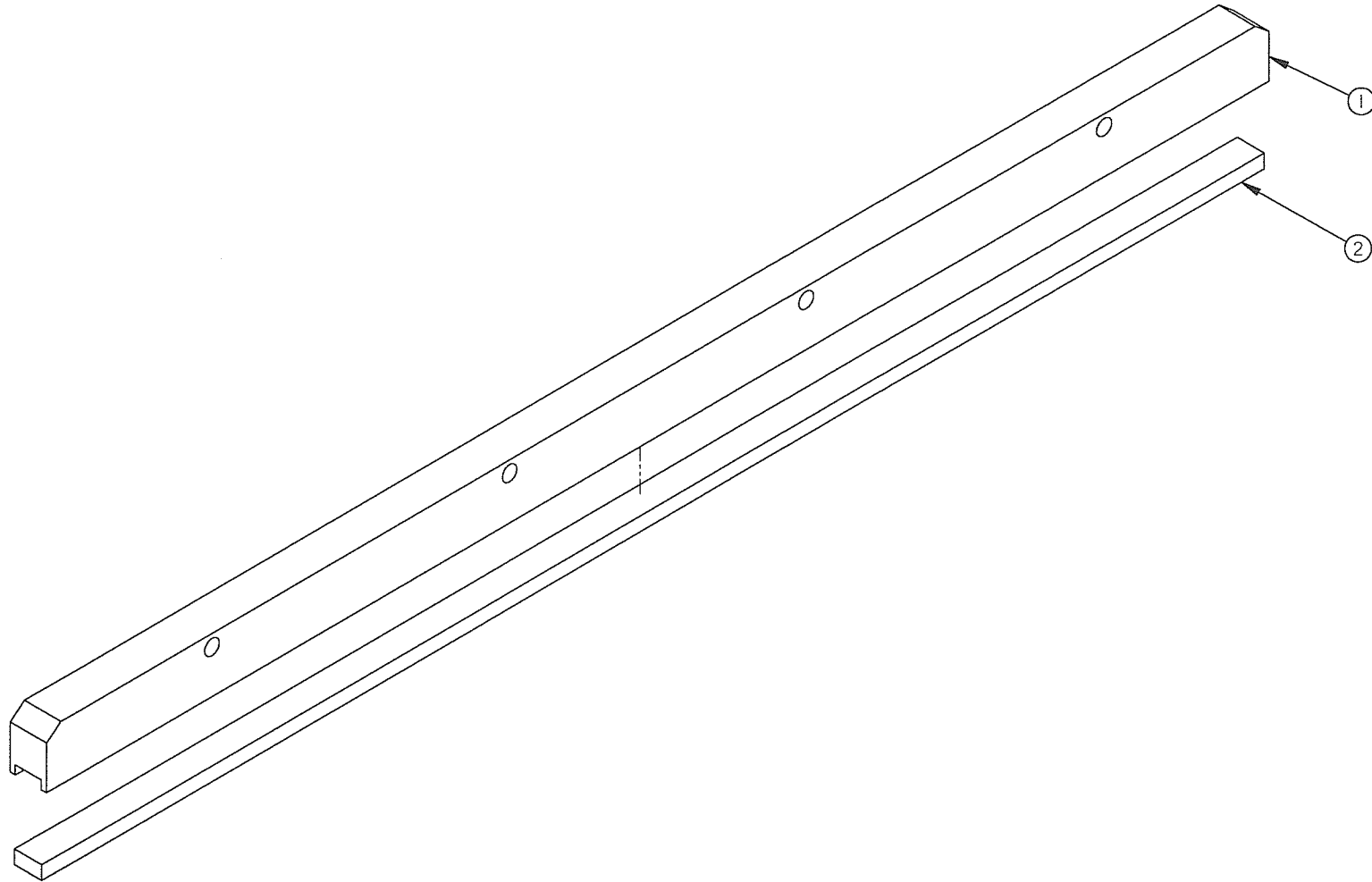
-TOP & BOTTOM SEALING OPTION-

K	AJOUT PINCE TEFLON, CHANGE TEFLON	13-08-12	SBU
LET.	MODIFICATION	DATE	INT.

MACHINE	580A, 650A, 680A & 700A		DEPT. TOL. METRIC	INCH	SIPROMAC ST-GERMAIN DE GRANTHAM QUEBEC CANADA
PART	UPPER SEAL BAR ASS'Y W/SUPPORT		USINAGE	± 0.1 ± 0.004	
			TOLERIE	± 0.5 ± 0.020	
			SOUDAGE	± 0.5 ± 0.020	N.T.S.
ITEM	CNC	DEPT.	M-(M)-I		QTY. 2
MAT.	DWG BY SBU	DATE 13-08-12	NO. 005C0437		
	APP. BY	DATE			

004B0207

ITEM	PART #	DESCRIPTION	QT.
1	002B0364	UPPER SEAL BAR SUPPORT	1
2	008-0374	UPPER SEAL BAR RUBBER	1

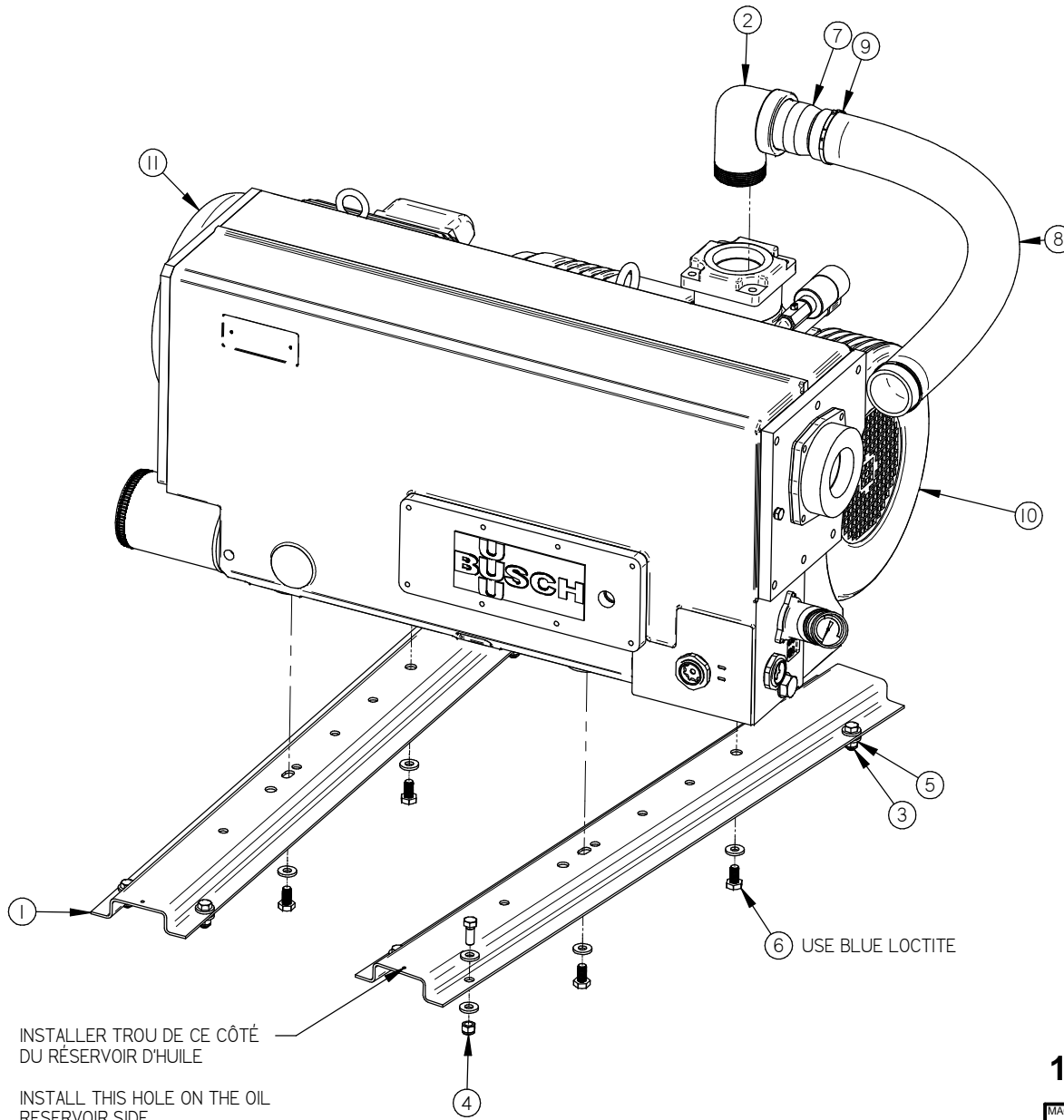


MACHINE 580A, 650A, 680A & 700A		DEPT. TOL. METRIC	INCH	SIPROMAC	
PART UPPER SEAL BAR ASSEMBLY		USINAGE ± 0.1	± 0.004"	ST-GERMAIN DE GRANTHAM	
		TOLERIE ± 0.5	± 0.020"	QUEBEC CANADA	
		SOUDAGE ± 0.5	± 0.020"	N.T.S.	
ITEM	CNC	DEPT.	M-I	QTY.	2
MAT.	DWG BY J.G.	DATE 08-04-30	NO.	004B0207	
	APP. BY	DATE 28-05-07			

K	REDESSINE VOIR AUSSI 004A2555, 004A2556 & 004A2561	08-04-30	J.G.
LET.	MODIFICATION	DATE	INT.

005A1535

ITEM	PART #	DESCRIPTION	QT.
1	001B6563	PUMP SUPPORT	2
2	004A4240	BELLOWS ELBOW CONNECTOR ASSY	1
3	051-0360	BOLT 3/8"-16nc. X 1" S/S	8
4	051-0622	NUT 3/8"-16nc. NYLON LOCK S/S	8
5	051-0783	WASHER 3/8" FLAT THICK S/S	20
6	051-09931	BOLT M10 X 20MM HEX SS	4
7	100-1250	STRAIGHT 2"MNPT X 2" HOSE BARB SS	1
8	104-0151	HOSE 2"ID VACUUM TIGERFLEX 560MM	1
9	105-0258	EAR CLAMP 2" S/S	2
10	125-0070	BUSCH RA-0165 230-460V/3PH/60HZ	1
11	125-0075	BUSCH RA-0165 575V/3PH/60HZ	1



INSTALLER TROU DE CE CÔTÉ
DU RÉSERVOIR D'HUILE

INSTALL THIS HOLE ON THE OIL
RESERVOIR SIDE

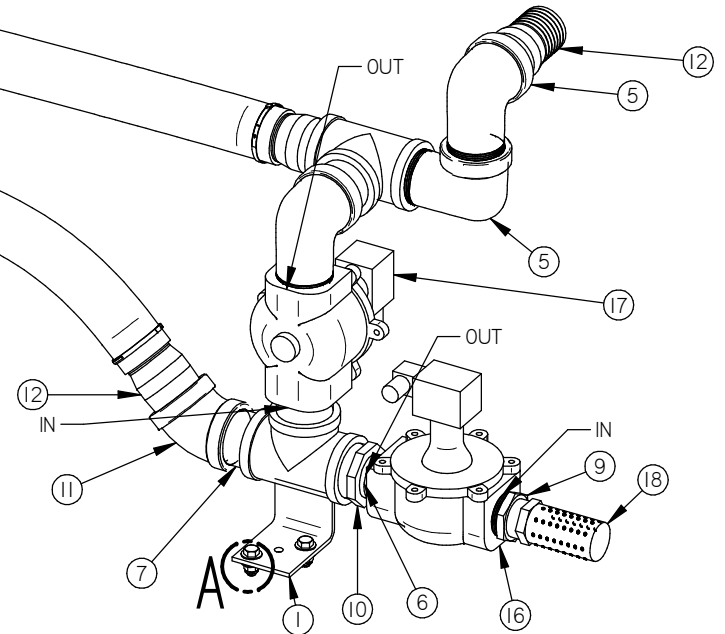
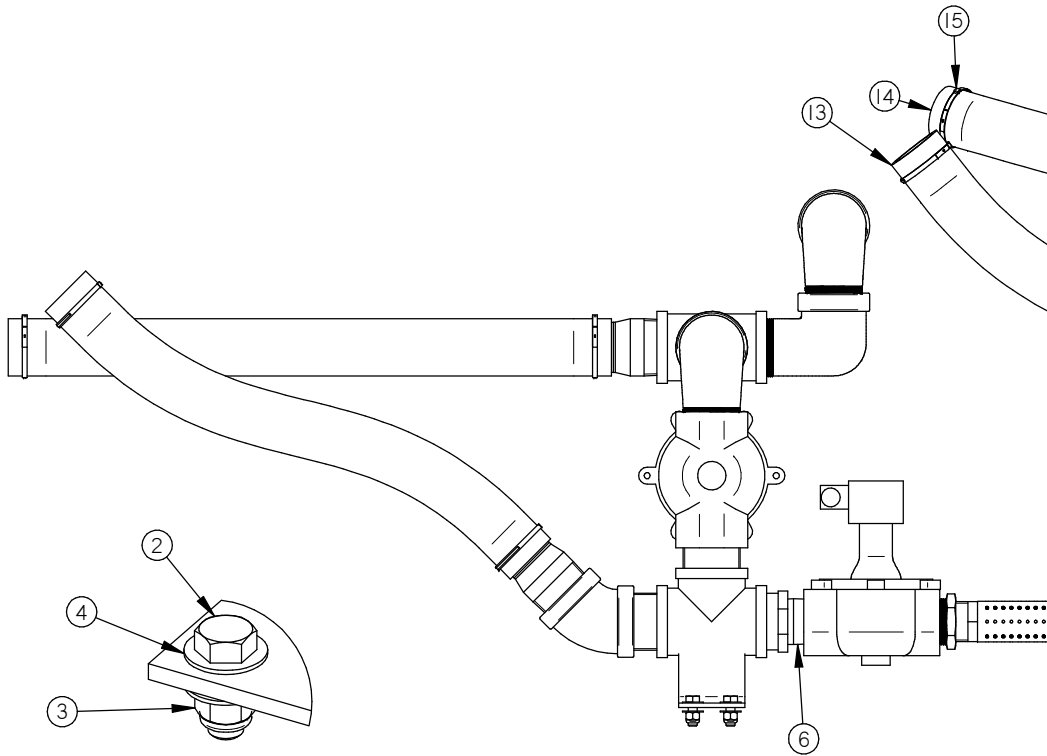
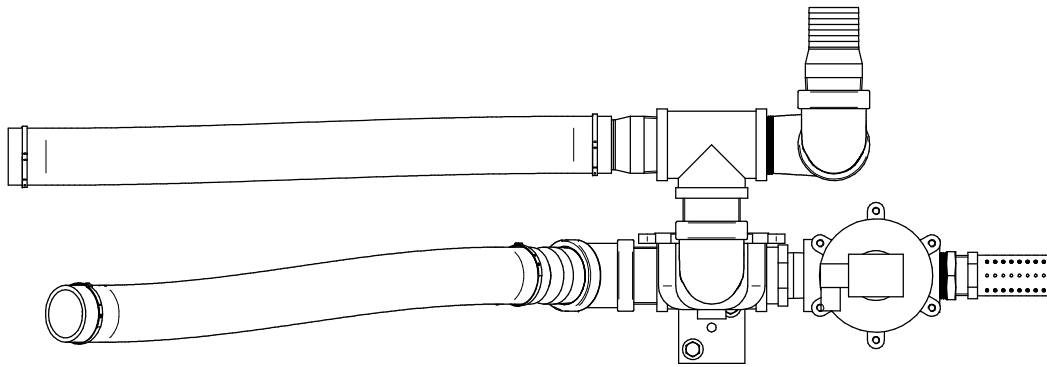
6 USE BLUE LOCTITE

165M³ BUSCH PUMP

MACHINE		650A		DEPT. TOL.	METRIC	INCH	SIPROMAC ST-GERMAIN DE GRANTHAM QUEBEC CANADA
PART		PUMP "BUSCH" 165M³		USINAGE	± 0.1	± 0.004"	
ITEM		CNC		TOLERIE	± 0.5	± 0.020"	
MAT.		3D DWG BY SBU		DATE	14-10-08		NO. 005A1535
MODIFICATION		2D DWG BY SBU		DATE	14-10-08		
LET.	DATE	INT.	DEPT.	M-I		QTY.	1

005A1522

ITEM	PART #	DESCRIPTION	QT.
1	004-0183	VAC./ATM. VALVE SUPP. PRE-ASS'Y	1
2	051-0360	BOLT 3/8"-16nc. X 1" S/S	2
3	051-0622	NUT 3/8"-16nc. NYLON LOCK S/S	2
4	051-0780	WASHER 3/8" FLAT S/S	4
5	100-0095	STREET ELBOW 90° X 2" NPT SS	3
6	100-0250	CLOSE NIPPLE 1-1/2"NPT S/S	1
7	100-0255	CLOSE NIPPLE 2" NPT SS	3
8	100-0487	TEE 2"npt. S/S	1
9	100-0555	RED.BUSH.1-1/2" x 1-1/4" NPT S/S	1
10	100-0561	RED.BUSH. 2"NPTx1-1/2"NPT SS	1
11	100-0754	ELBOW 45° X 2" NPT SS	1
12	100-1250	STRAIGHT 2"MNPT X 2" HOSE BARB SS	3
13	104-0151	HOSE 2"ID VACUUM 572MM	1
14	104-0151	HOSE 2"ID VACUUM 610MM	1
15	105-0258	EAR CLAMP 2" S/S	4
16	106-0050	VALVE 2WAY 24V 1-1/2"NPT(B60)60Hz	1
17	106-0067	VALVE 2WAY 24V 2" NPT(B80) 60HZ	1
18	114-2030	VACUUM MUFFLER 1-1/4"NPT	1



DETAIL A

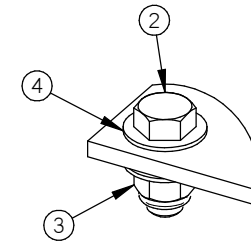
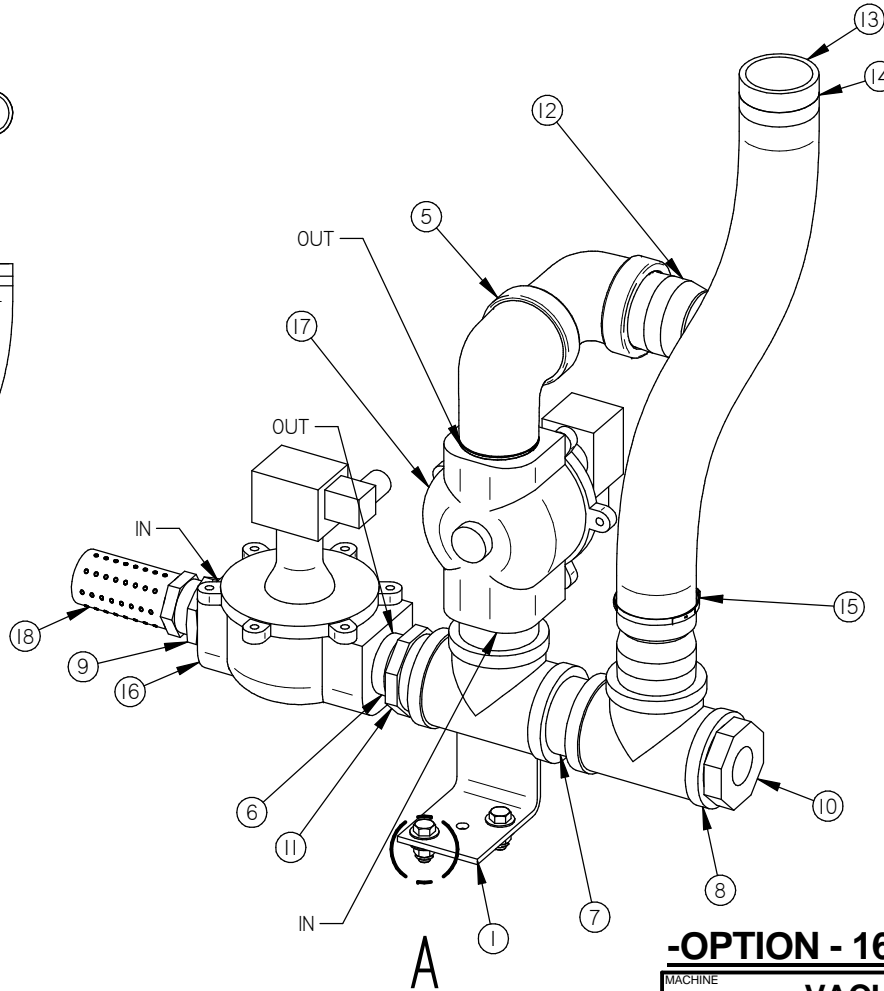
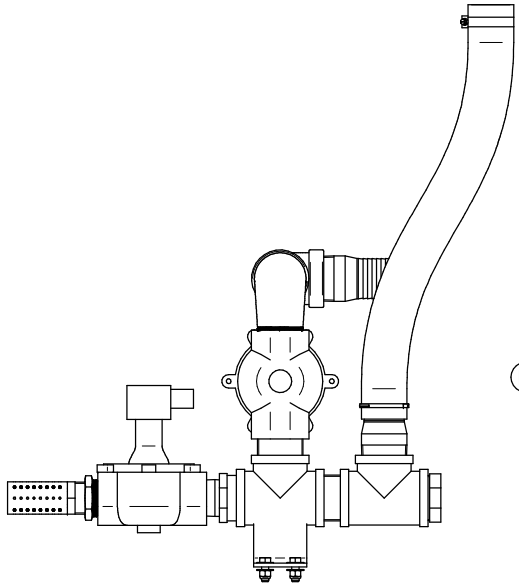
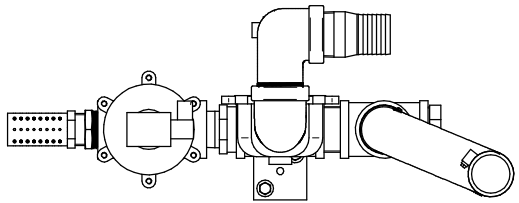
-OPTION - 165M³, 255M³ & 305M³ PUMP

C	CHANGER 106-0051 PAR 106-0050	17-08-04	AG
B	CHANGE 100-0487 & 100-0558 FOR 100-0754	16-10-07	AG
A	AJOUT D'UN COUDE POUR CLEARER POMPE	16-07-07	AG
LET.	MODIFICATION	DATE	INT.

MACHINE		DEPT. TOL. METRIC		INCH		SIPROMAC	
VACUUM		USINAGE	± 0.1	± 0.004"	ST-GERMAIN DE GRANTHAM		
PART		TOLERIE	± 0.5	± 0.020"	QUEBEC CANADA		
VACUUM/ATMOSPHERE VALVE ASSY		SOUDAGE	± 0.5	± 0.020"	N.T.S.		
ITEM	CNC	DEPT.	M	QTY.	1		
MAT.	DWG BY SBU	DATE 13-09-18	NO.		005A1522		
	APP. BY	DATE					

005A1521

ITEM	PART #	DESCRIPTION	QT.	ITEM	PART #	DESCRIPTION	QT.
11	100-0561	RED.BUSH. 2"NPTx1-1/2"NPT SS	1	1	004-0183	VAC./ATM. VALVE SUPP. PRE-ASS'Y	1
12	100-1250	STRAIGHT 2"MNPT X 2" HOSE BARB SS	2	2	051-0360	BOLT 3/8"-16nc. X 1" S/S	2
13	104-0151	HOSE 2"ID VACUUM 572MM	1	3	051-0622	NUT 3/8"-16nc. NYLON LOCK S/S	2
14	105-0130	SCREW CLAMPS 1-13/16" TO 2-3/4" ALL SS	1	4	051-0780	WASHER 3/8" FLAT S/S	4
15	105-0258	EAR CLAMP 2" S/S	1	5	100-0095	STREET ELBOW 90° X 2" NPT SS	2
16	106-0050	VALVE 2WAY 24V 1-1/2"NPT(B60)60Hz	1	6	100-0250	CLOSE NIPPLE 1-1/2"NPT S/S	1
17	106-0067	VALVE 2WAY 24V 2" NPT(B80) 60HZ	1	7	100-0255	CLOSE NIPPLE 2" NPT SS	2
18	114-2030	VACUUM MUFFLER 1-1/4"NPT	1	8	100-0487	TEE 2"npt. S/S	1
				9	100-0555	RED.BUSH.1-1/2" x 1-1/4" NPT S/S	1
				10	100-0558	RED. BUSHING 2"mnpt. X 1"fnpt S/S	1



DETAIL A

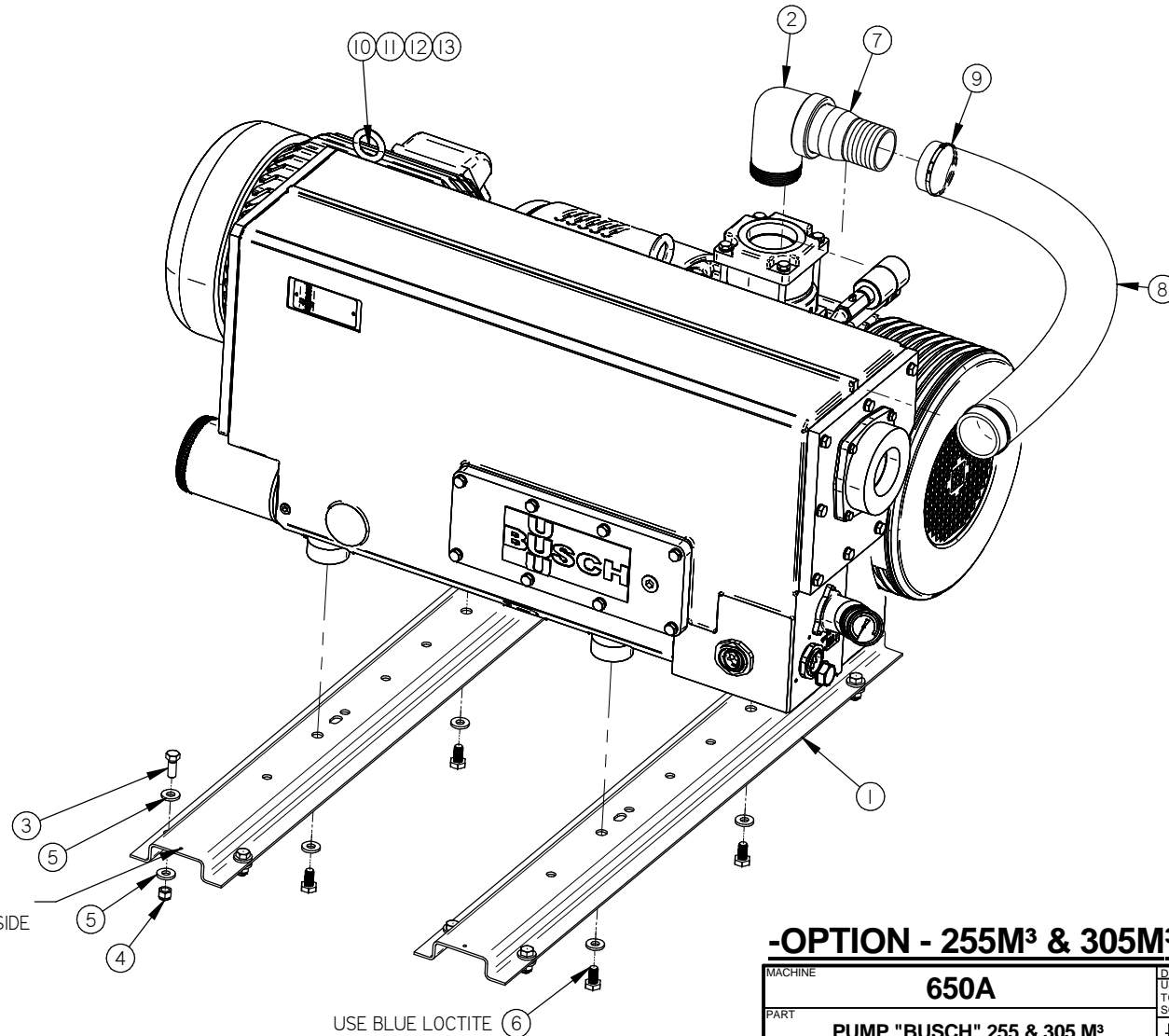
-OPTION - 165M³, 255M³ & 305M³ PUMP

MACHINE		DEPT. TOL. METRIC		INCH		SIPROMAC	
VACUUM		USINAGE	± 0.1	± 0.004"	ST-GERMAIN DE GRANTHAM		
PART		TOLERIE	± 0.5	± 0.020"	QUEBEC CANADA		
VACUUM/ATMOSPHERE VALVE ASSY		SOUDEAGE	± 0.5	± 0.020"	N.T.S.		
ITEM	CNC	DEPT.	M	QTY.	1		
MAT.	DWG BY SBU	DATE 13-09-18	NO.		005A1521		
	APP. BY	DATE					

A	106-0051->106-0050 & 105-0120->105-0130	17-07-28	AG
LET.	MODIFICATION	DATE	INT.

005A1520

ITEM	PART #	DESCRIPTION	QT.	ITEM	PART #	DESCRIPTION	QT.
8	104-0151	HOSE 2"ID VACUUM TIGERFLEX 560MM	1	1	001B6563	PUMP SUPPORT	2
9	105-0258	EAR CLAMP 2" S/S	2	2	004A4240	BELLOWS ELBOW CONNECTOR ASSY	1
10	125-0080	BUSCH RA-0255 230-460V/3PH/60HZ	1	3	051-0360	BOLT 3/8"-16nc. X 1" S/S	8
11	125-0085	BUSCH RA-0255 575V/3PH/60HZ	1	4	051-0622	NUT 3/8"-16nc. NYLON LOCK S/S	8
12	125-0087	BUSCH RA-0305 230-460V/3PH/60HZ	1	5	051-0783	WASHER 3/8" FLAT THICK S/S	20
13	125-0088	BUSCH RA-0305 575V/3PH/60HZ	1	6	051-09931	BOLT M10 X 20MM HEX SS	4
				7	100-1250	STRAIGHT 2"MNPT X 2" HOSE BARB SS	1



SMALL HOLES MUST BE ON OIL RESERVOIR SIDE

USE BLUE LOCTITE

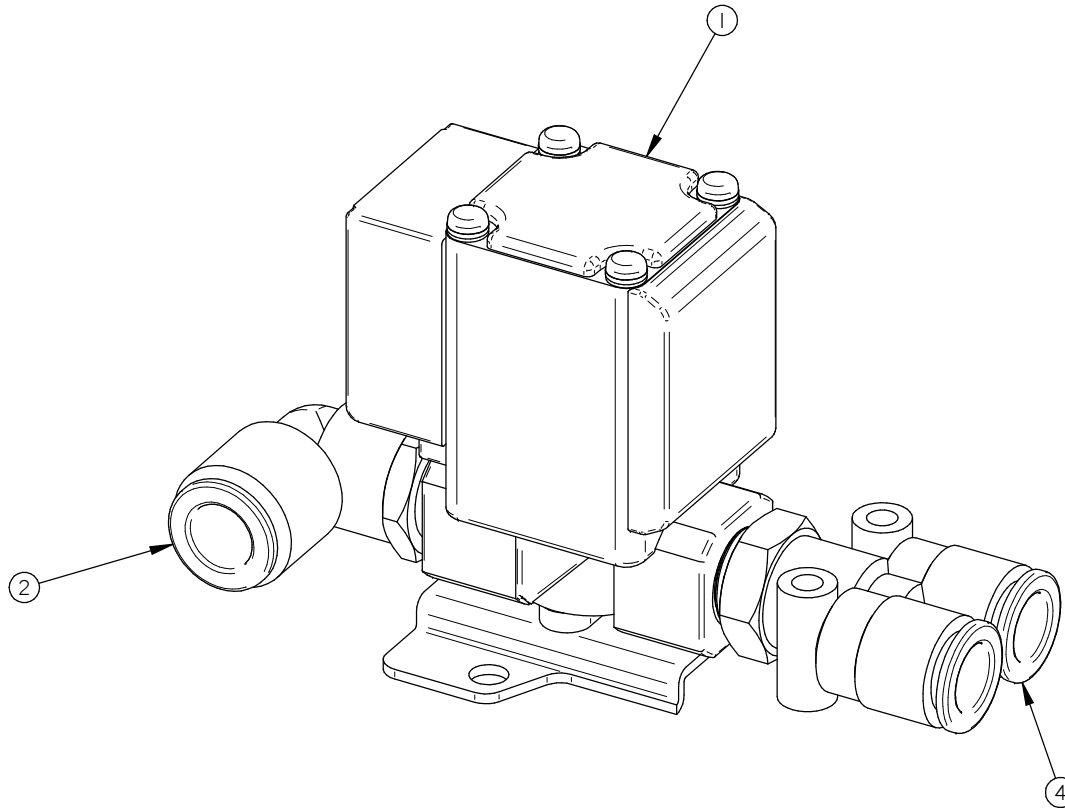
-OPTION - 255M³ & 305M³ PUMP

MACHINE		650A		DEPT. TOL.	METRIC	INCH	SIPROMAC ST-GERMAIN DE GRANTHAM QUEBEC CANADA
PART		PUMP "BUSCH" 255 & 305 M ³		USINAGE	± 0.1	± 0.004"	
ITEM		CNC		TOLERIE	± 0.5	± 0.020"	
MAT.		APP. BY		DATE		N.T.S.	
LET.		MODIFICATION		DATE		NO. 005A1520	
A		001B6563 WAS 001A6563		14-05-28		M-I	
LET.		MODIFICATION		DATE		INT.	

A	001B6563 WAS 001A6563	14-05-28	SBU
LET.	MODIFICATION	DATE	INT.

004B4113

ITEM	PART #	DESCRIPTION	QT.
1	106-0010	VALVE 2WAY N.C. 24VAC 1/4" NPT(SMC)	1
2	102-0330	ELBOW 1/4" NPT X 3/8" HOSE QUICK	1
4	102-0361	Y BRANCH 1/4" MNPT X 3/8" T. QUICK	1



-OPTION - GAS

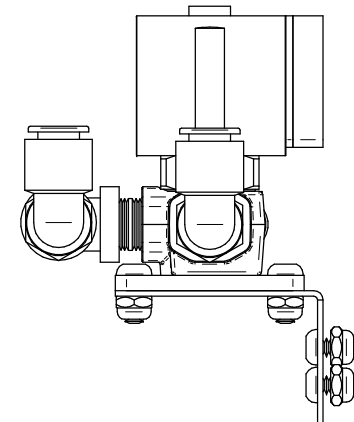
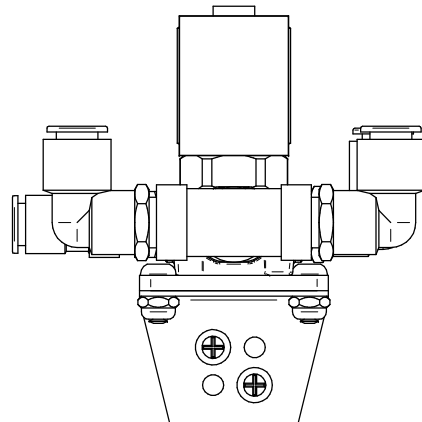
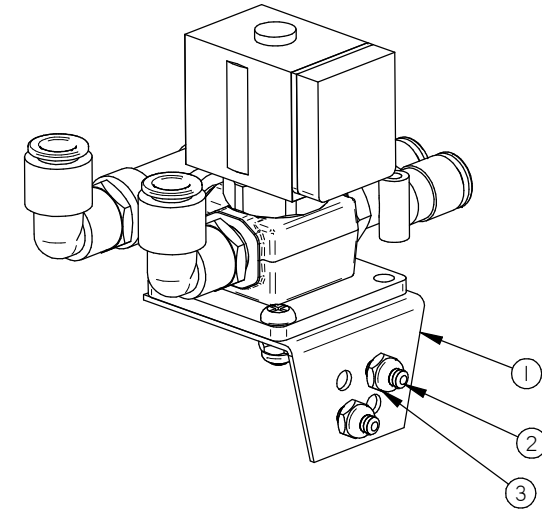
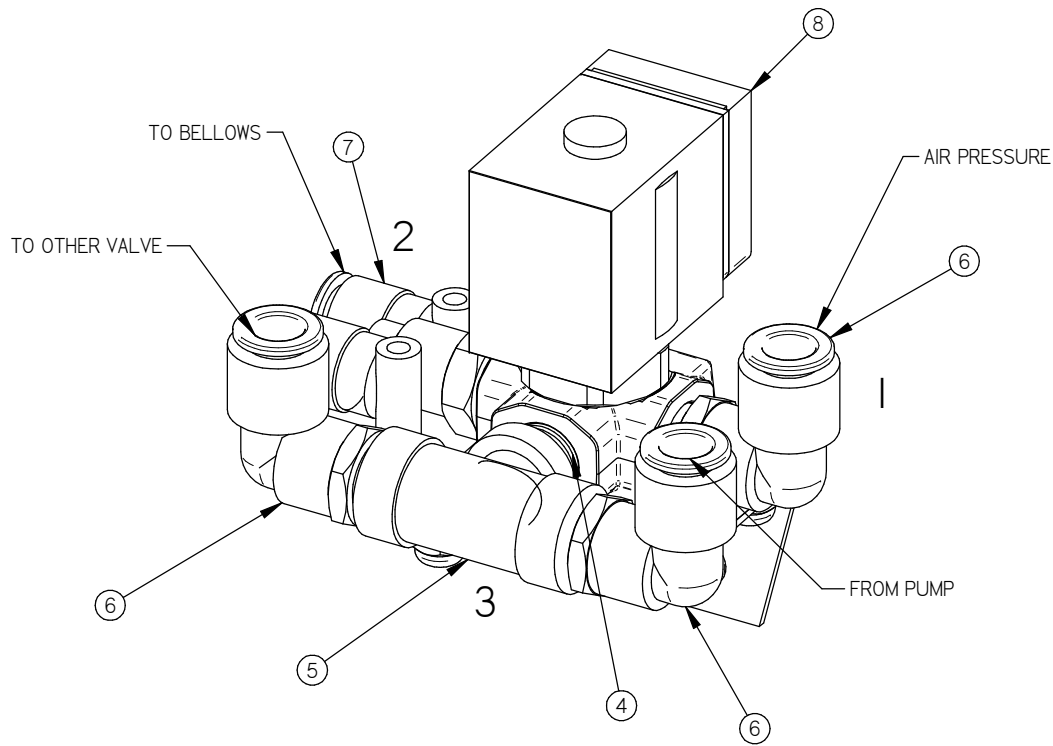
DOUBLE CHAMBER	2
SINGLE CHAMBER	1
MACHINE	QTY

MACHINE	VACUUM			DEPT. TOL.	METRIC	INCH	SIPROMAC ST-GERMAIN DE GRANTHAM QUEBEC CANADA
PART	GAS VALVE ASSEMBLY (OPTION)			USINAGE	± 0.1	± 0.004"	
				TOLERIE	± 0.5	± 0.020"	
ITEM				SOUDEAGE	± 0.5	± 0.020"	N.T.S.
MAT.							
	CNC		DEPT.	M		QTY	LISTE
	DWG BY SBU	DATE 14-05-27	NO.	004B4113			
	APP. BY	DATE					

B	ENLEVER 100-0065	17-02-20	AG
A	VALVE UPDATE	14-05-27	SBU
LET.	MODIFICATION	DATE	INT.

004B4105

ITEM	PART #	DESCRIPTION	QT.
1	001B6779	VALVE SUPPORT BRACKET	1
2	051-0144	SCREW #10-24 N.C 1/2" PAN PHIL. S/S	4
3	051-0572	NUT #10-24 NYLON LOCK S/S	4
4	100-0225	CLOSE NIPPLE 1/4" NPT SS	1
5	100-0463	TEE 1/4" NPT S/S	1
6	102-0330	ELBOW 1/4" NPT X 3/8" HOSE QUICK	3
7	102-0361	Y BRANCH 1/4" MNPT X 3/8" T. QUICK	1
8	106-00701	VALVE 3WAY 24V 1/4"NPT	1

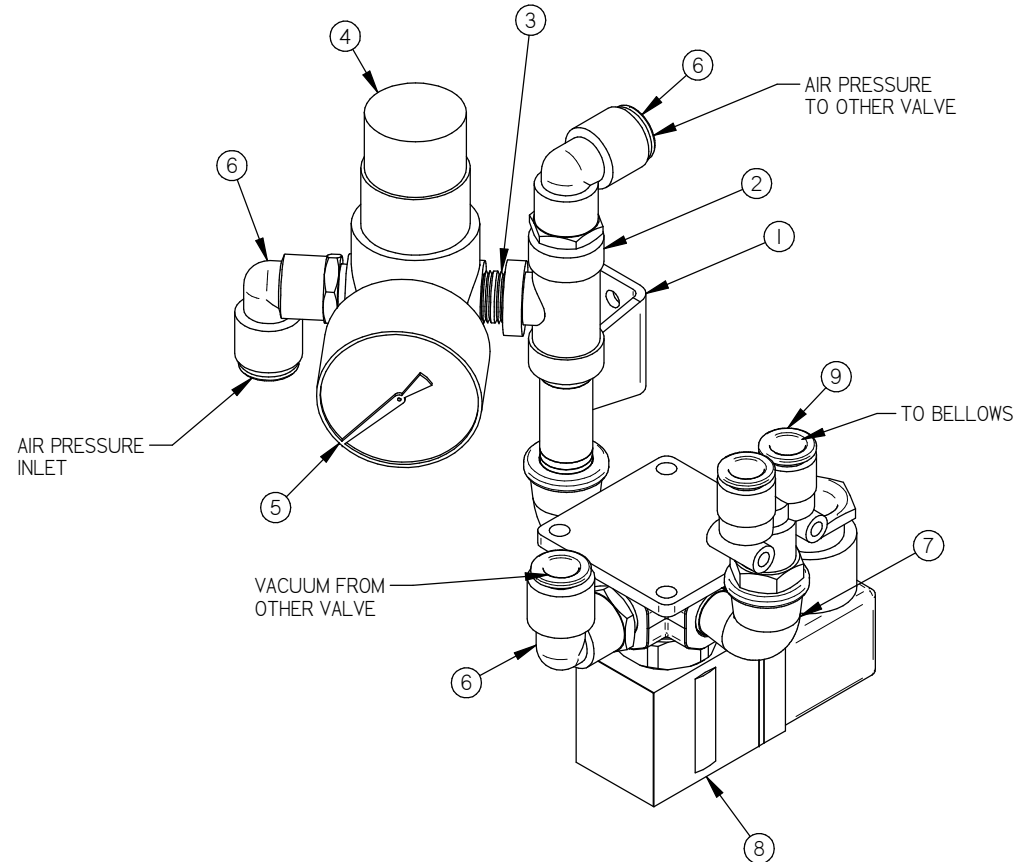
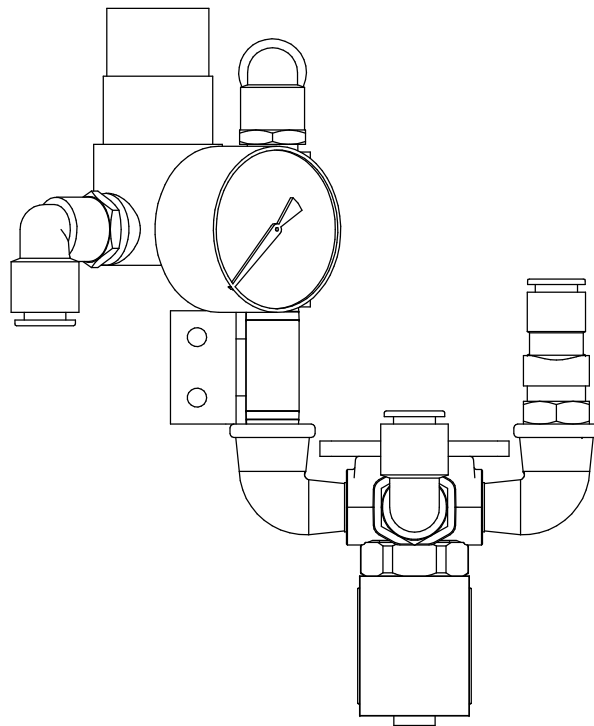
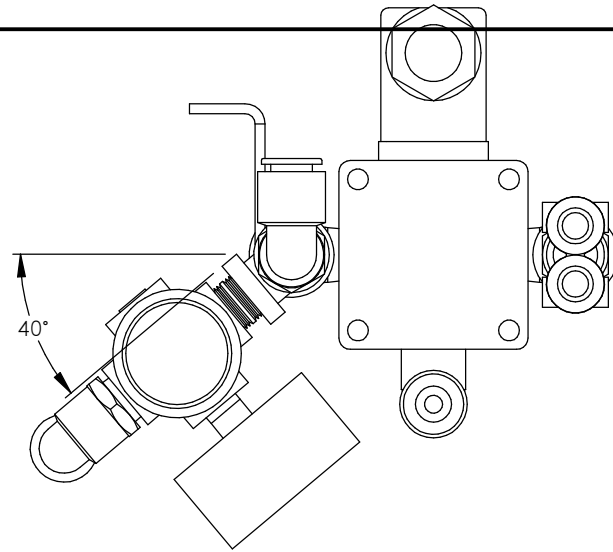


-OPTION - AIR REGULATOR

B	CHANGER LA POSITION DES FITTINGS	17-06-01	AG
A	UPDATE VALVE	14-05-27	SBU
LET.	MODIFICATION	DATE	INT.

MACHINE		DEPT.	TOL.	METRIC	INCH	SIPROMAC	
VACUUM		USINAGE	± 0.1	± 0.004"	ST-GERMAIN DE GRANTHAM		QUEBEC CANADA
PART		TOLERIE	± 0.5	± 0.020"	N.T.S.		
BELLOWS VALVE ASSY (OPT AIR REG)		SOUDEAGE	± 0.5	± 0.020"			
ITEM	CNC	DEPT.	M	QTY.	1		
MAT.	DWG BY SBU	DATE 14-05-27	NO.	004B4105			
	APP. BY	DATE					

004B4103



ITEM	PART #	DESCRIPTION	QT.
1	004A4140	AIR REGULATOR SUPPORT	1
7	100-0065	STREET ELBOW 1/4" NPT SS	2
3	100-0225	CLOSE NIPPLE 1/4" NPT SS	1
2	100-0463	TEE 1/4" NPT S/S	1
6	102-0330	ELBOW 1/4" NPT X 3/8" HOSE QUICK	3
9	102-0361	Y BRANCH 1/4" MNPT X 3/8" T. QUICK	1
8	106-00701	VALVE 3WAY 24V 1/4"NPT	1
4	114-0147	PRESSURE REGUL. 0-60 PSI 1/4" NPT	1
5	114-0245	PRESSURE GAUGE 60 PSI 1/8" NPT	1

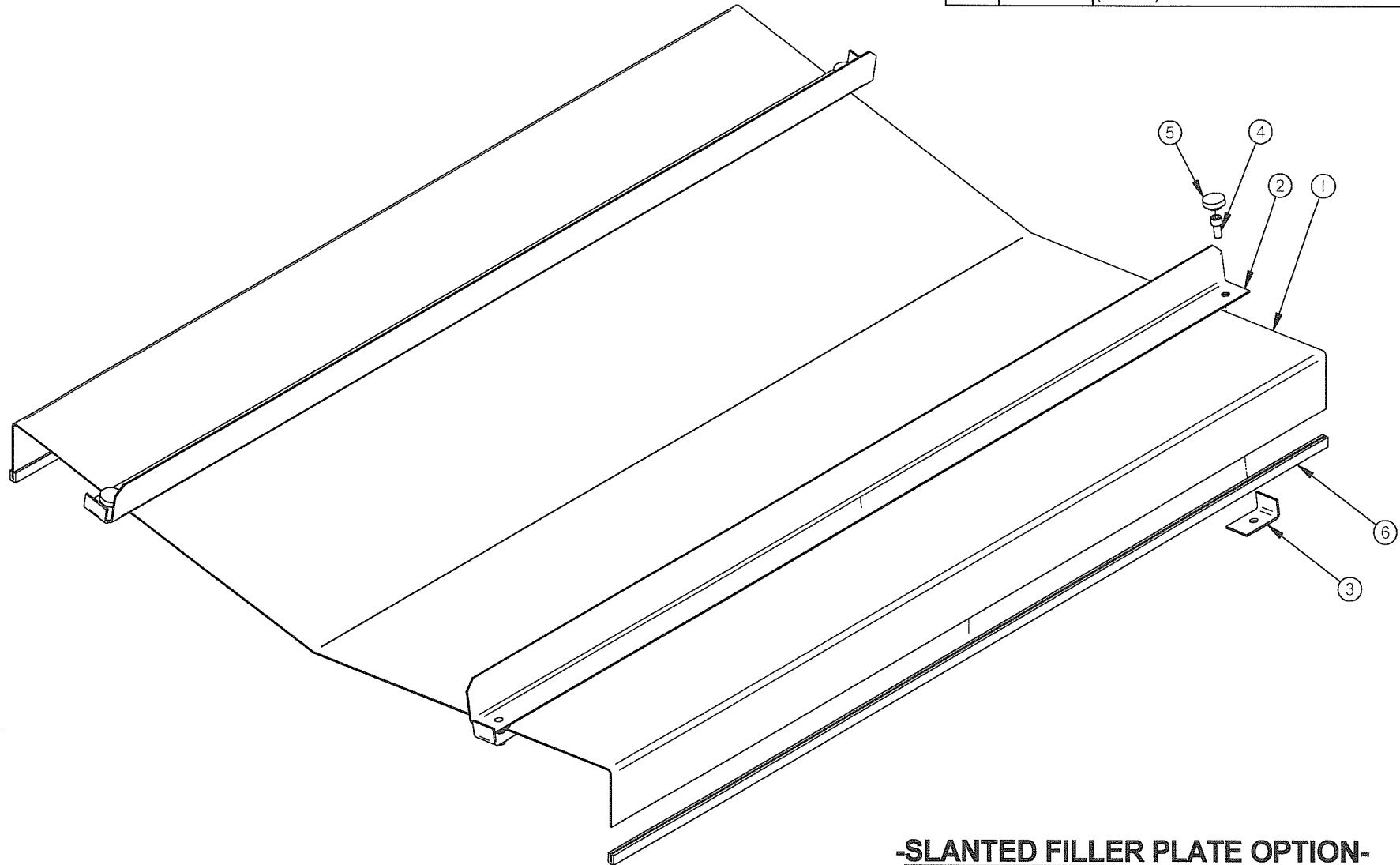
-OPTION - AIR REGULATOR

MACHINE		600A & 620A		DEPT. TOL.	METRIC	INCH	SIPROMAC ST-GERMAIN DE GRANTHAM QUEBEC CANADA
PART		AIR REGULATOR VALVE ASSY		USINAGE	± 0.1	± 0.004"	
ITEM		CNC		TOLERIE	± 0.5	± 0.020"	
MAT.		APP. BY		SOUDEGE	± 0.5	± 0.020"	N.T.S.
DATE		DATE		DEPT.		M	QTY.
DATE		DATE		DATE		14-05-27	1
DATE		DATE		DATE		14-05-27	004B4103

A	VALVE UPDATED	14-05-27	SBU
LET.	MODIFICATION	DATE	INT.

| 005A0868

ITEM	PART #	DESCRIPTION	QT.
1	001A5413	SLANTED FILLER PLATE	1
2	001A4581	ADJUSTABLE STOPPER	2
3	005-0187	ASS. BARRURE	4
4	051-01845	BOLT 1/4"-20 x 1/2"CAP HEX SKT.S/S	4
5	057-0004	THMB SCREW KNOB 1/4"	4
6	179-0014	RUBBER 1/4"x3/8"x1/16"U SHAPED 860mm (2.8215')	2



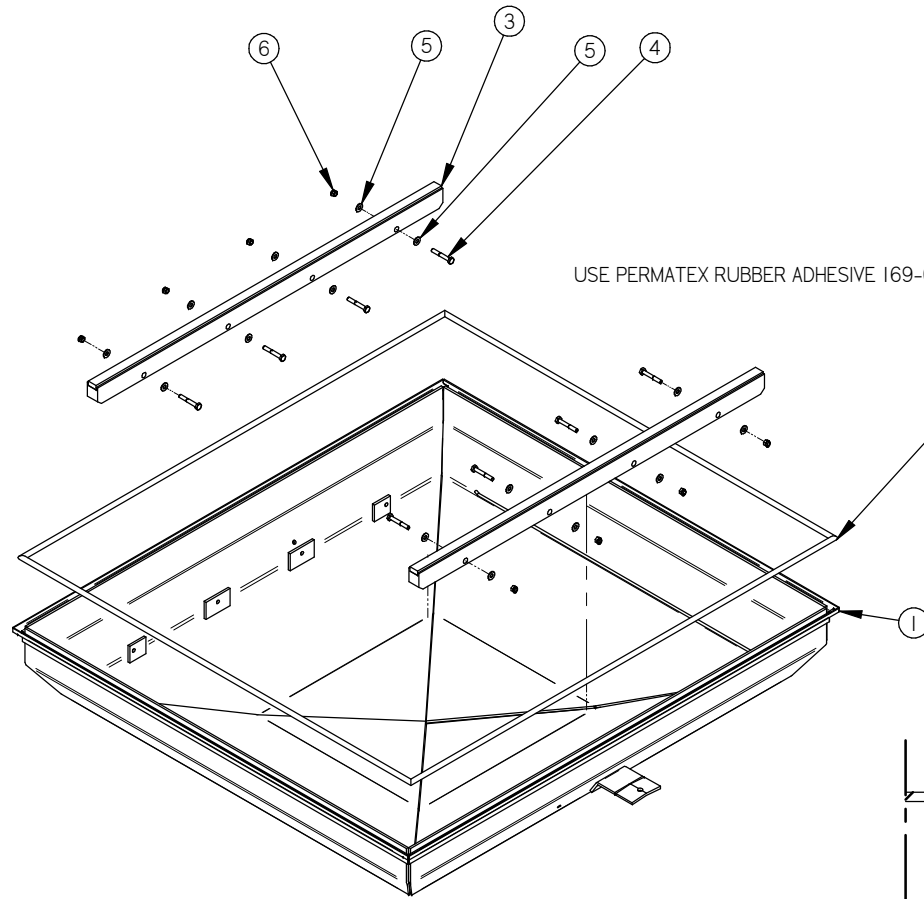
-SLANTED FILLER PLATE OPTION-

MACHINE	650A	DEPT. TOL. METRIC	INCH	SIPROMAC ST-GERMAIN DE GRANTHAM QUEBEC CANADA
PART	SLANTED FILLER PLATE ASS'Y	USINAGE ± 0.1 ± 0.004"	TOLERIE ± 0.5 ± 0.020"	
		SOUDEGE ± 0.5 ± 0.020"	N.T.S.	
ITEM	CNC	DEPT.	M-I	QTY. 2
MAT.	DWGS BY J.G.	DATE 10-05-12	NO. 005A0868	
	APP. BY [Signature]	DATE 10-06-12		

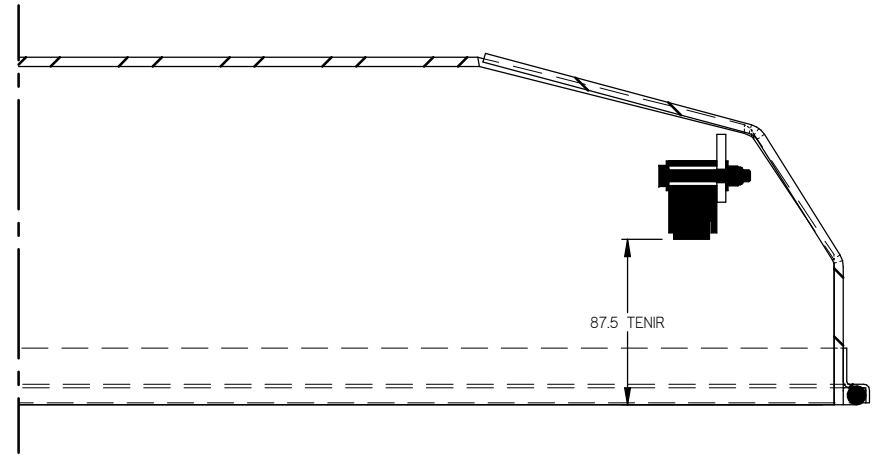
LET.	MODIFICATION	DATE	INT.
------	--------------	------	------

005-0469

ITEM	PART #	DESCRIPTION	QT.
1	004-0243	8" COVER PRE-ASS'Y	1
2	179-0020	NEOPRENE SPONGE 1/2" x 14,5'	1
3	004B0207	UPPER SEAL BAR ASSEMBLY	2
4	051-0255	BOLT 1/4-20 x 1-3/4" HEX SS	8
5	051-0740	WASHER 1/4" FLAT S/S	16
6	051-0581	NUT 1/4"-20 NYLON LOCK S/S	8



USE PERMATRX RUBBER ADHESIVE 169-0013 TO GLUE (2) UTILISER PERMATRX RUBBER ADHESIVE 169-0013 POUR COLLER



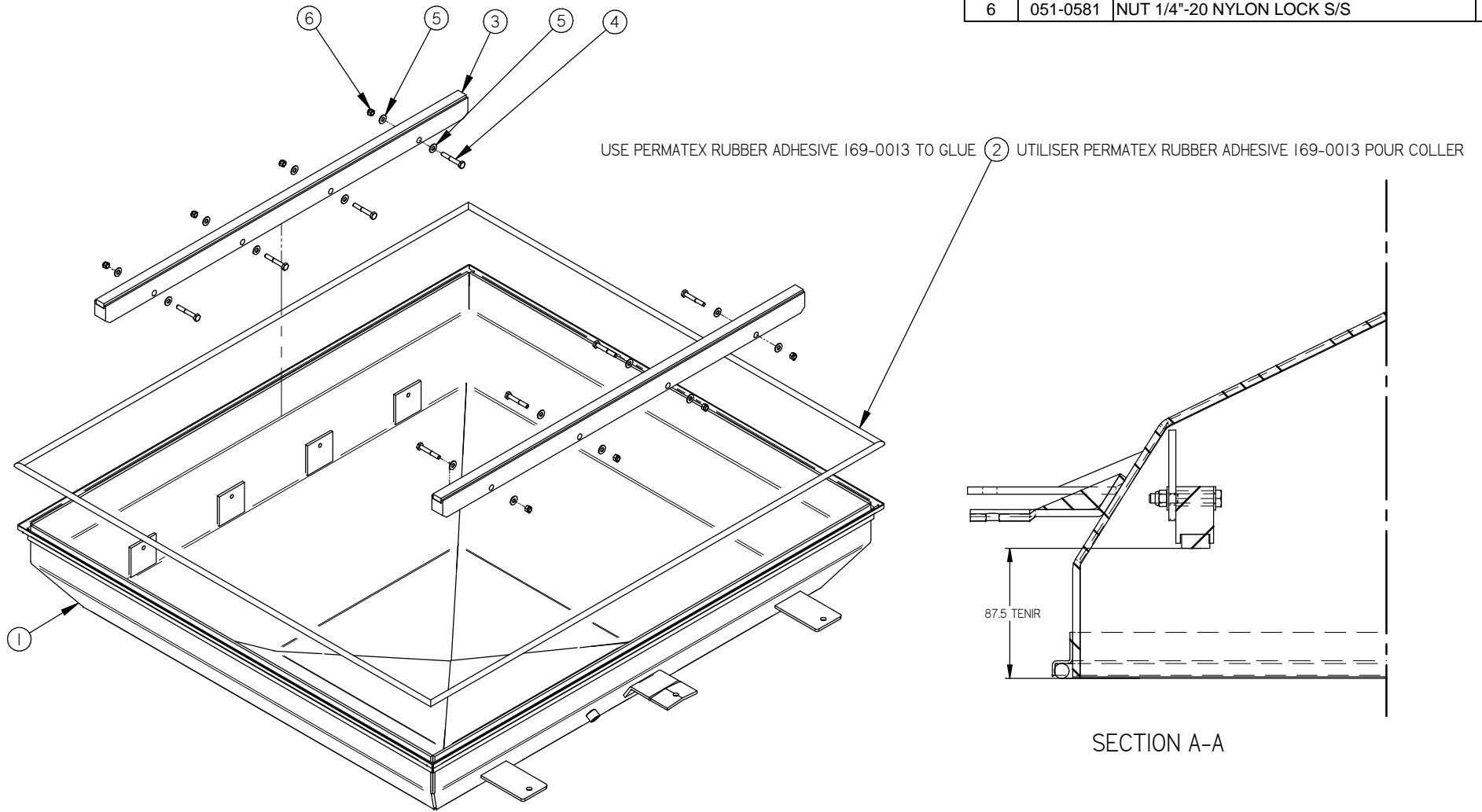
SECTION A-A

B	REDESSINER S.E	02-08-08	Y.C
LET.	MODIFICATION	DATE	INT.

MACHINE	650A & 680A		DEPT. TOL. METRIC	INCH	SIPROMAC ST-GERMAIN DE GRANTHAM QUEBEC CANADA
PART	8" COVER ASSEMBLY		USINAGE ± 0.1 ± 0.004	TOLERIE ± 0.5 ± 0.020	
ITEM	CNC		SOUDEAGE ± 0.5 ± 0.020	N.T.S.	
MAT.	DWG BY Y.C.	DATE 02-08-08	NO. 005-0469	DEPT. M-I	QTY. 1
	APP. BY	DATE			

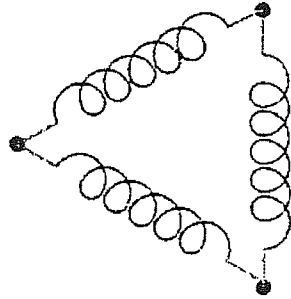
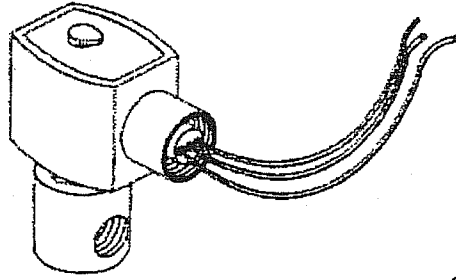
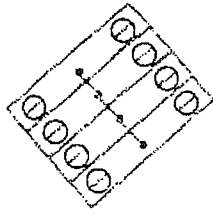
005-0470

ITEM	PART #	DESCRIPTION	QT.
1	004-0244	12" COVER PRE-ASS'Y	1
2	179-0020	NEOPRENE SPONGE 1/2" x 14.5'	1
3	004B0207	UPPER SEAL BAR ASSEMBLY	2
4	051-0255	BOLT 1/4-20 x 1-3/4" HEX SS	8
5	051-0740	WASHER 1/4" FLAT S/S	16
6	051-0581	NUT 1/4"-20 NYLON LOCK S/S	8

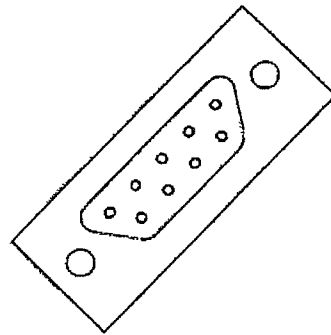
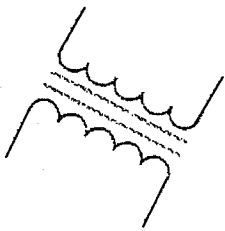


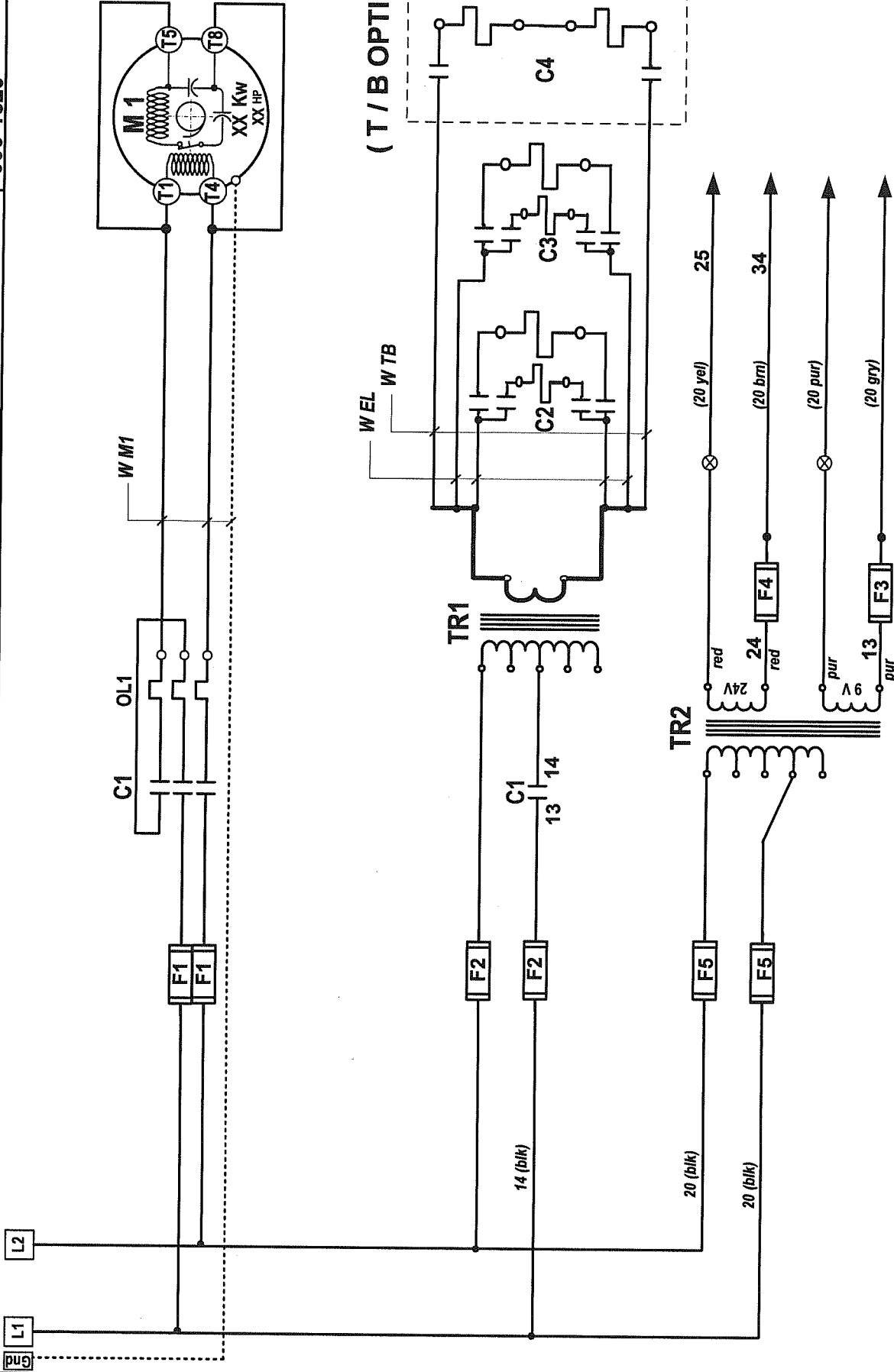
B	REDESSINER S.E	02-08-09	Y.C
LET.	MODIFICATION	DATE	INT.

MACHINE	650A & 680A	DEPT. TOL. METRIC	INCH	SIPROMAC ST-GERMAIN DE GRANTHAM QUEBEC CANADA
PART	12" COVER ASSEMBLY	USINAGE	± 0.1 ± 0.004	
		TOLERIE	± 0.5 ± 0.020	
ITEM		CNC		NO. 005-0470
MAT.		DWG BY Y.C.	DATE 02-08-09	DEPT. M-I QTY. 1
		APP. BY	DATE	



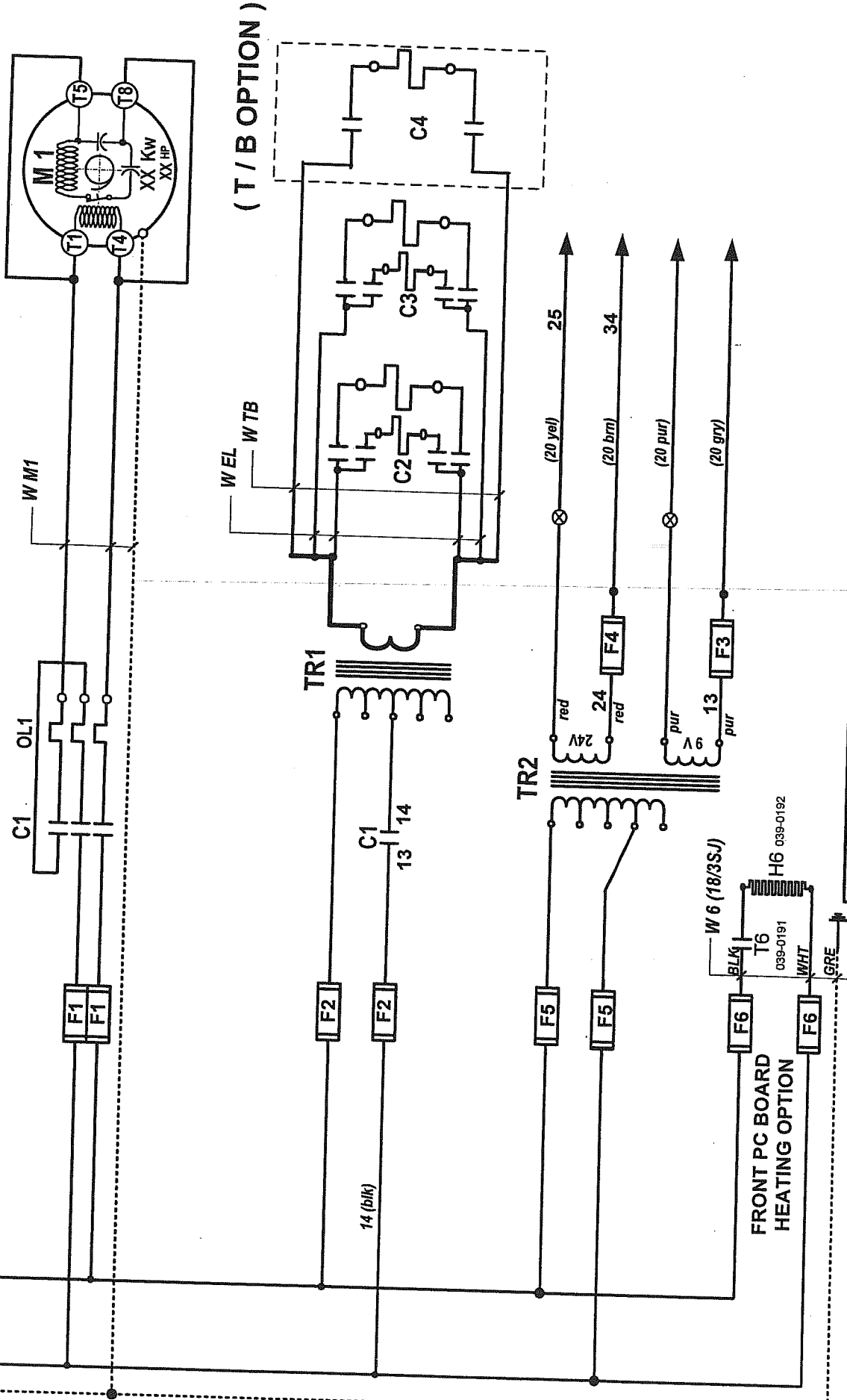
ELECTRICAL DRAWING





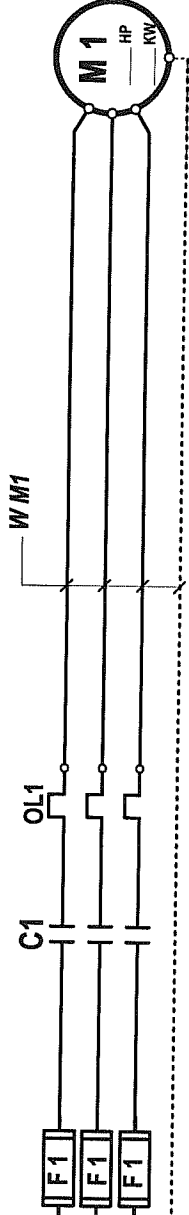
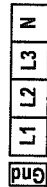
category	VACUUM PACK	model	650A	vol:	1Ph 60Hz
system	POWER	circuit		year	05
usual functions	MC-40	power		month	01
options				day	18
				concept	PP
				draw	PP
				app	DL
				block	DL
				concept	006-1520
				draw	1 de
				app	PAGE
				block	1

SIPROMAC
 St-Germain de Grantham
 QUEBEC, CANADA

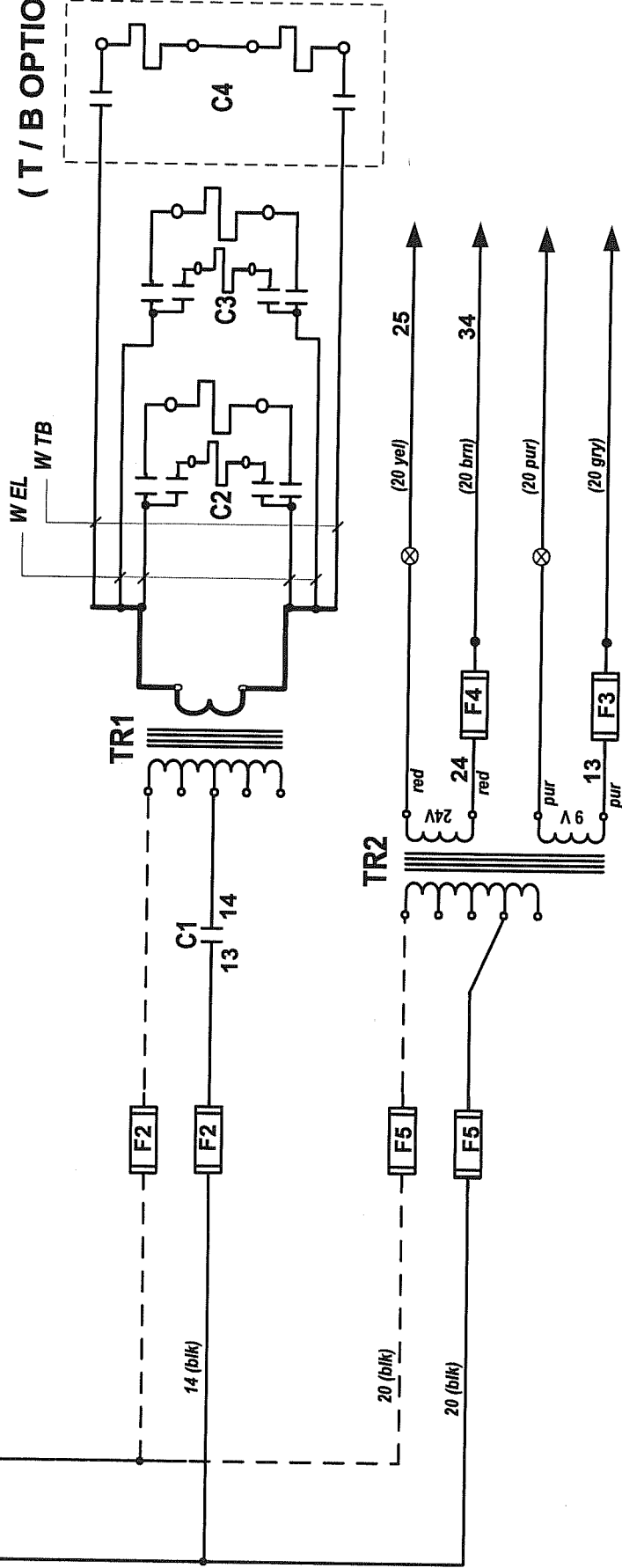


(T / B OPTION)

category		VACUUM PACK		model		vol	
system		usual		functions		options	
year	month	day	block	year	month	day	block
10	07	15		10	07	15	
concept	draw	app		concept	draw	app	
XX	XX	XX		XX	XX	XX	
SIPROMAC							006A0481
St-Germain de Grantham							PAGE 1 de 5
QUEBEC -CANADA							



(T / B OPTION)

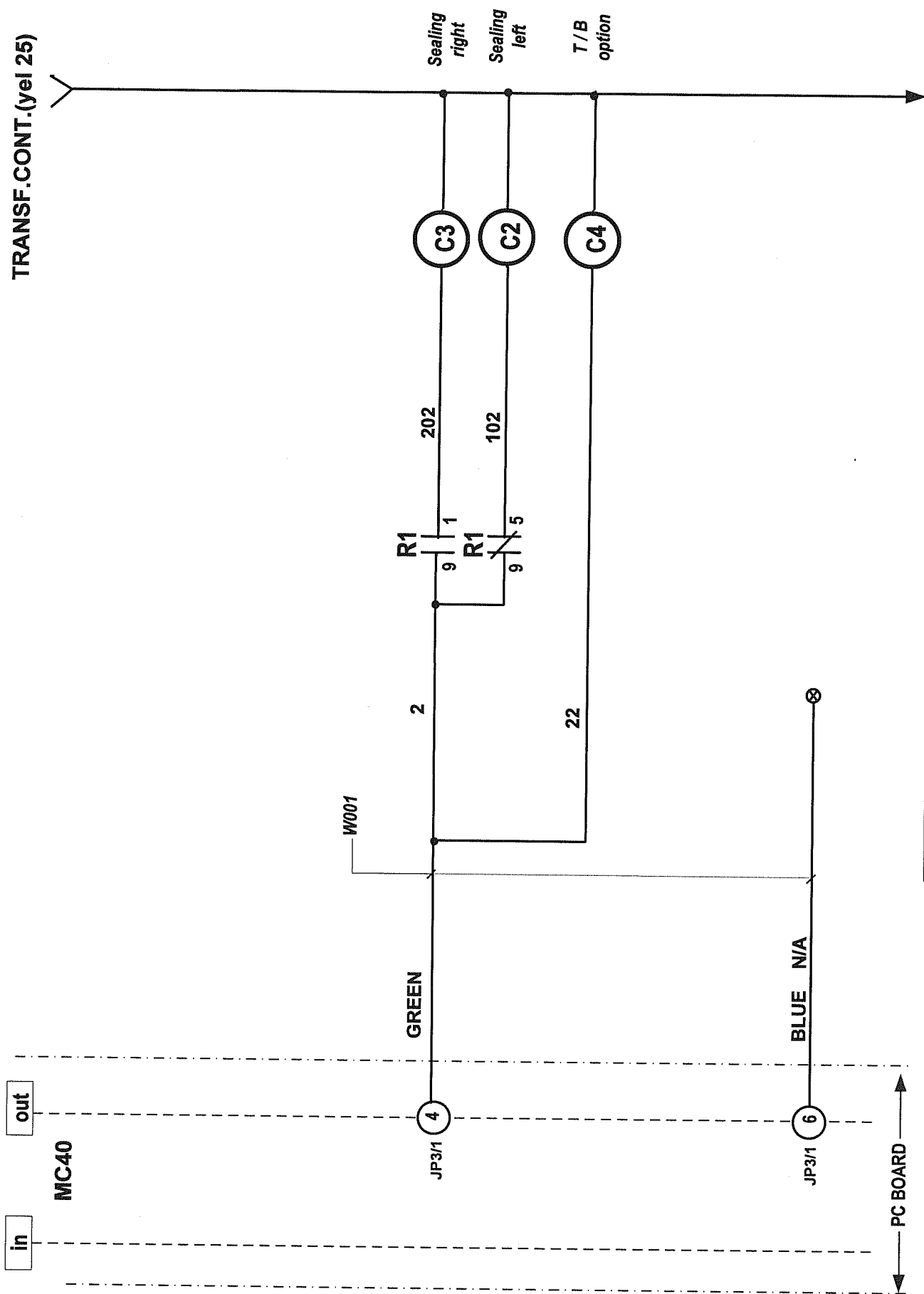


category		VACUUM PACK		model	650A		volt.		3Ph 60Hz	
system		POWER		circuit		power		year	month	day
usual functions		MC-40		power		power		05	01	18
options				power		power		concept	draw	app
				power		power		PP	PP	DL
				power		power		PAGE		1 de 1
				power		power		006-1530		1

SIPROMAC
 St-Germain de Grantham
 QUEBEC, CANADA

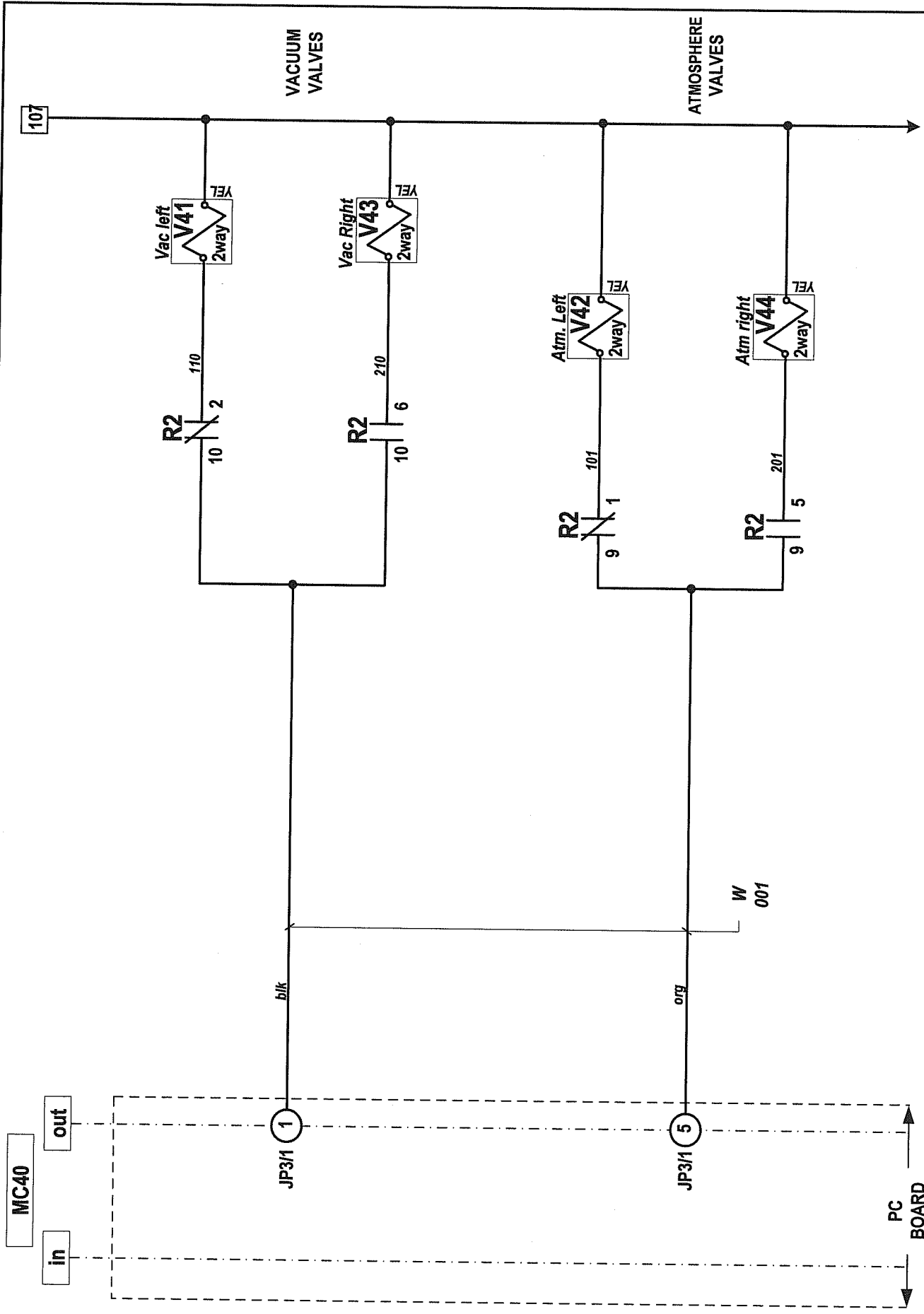
006-1530 PAGE 1 de 1

TRANSF.CONT.(yel 25)

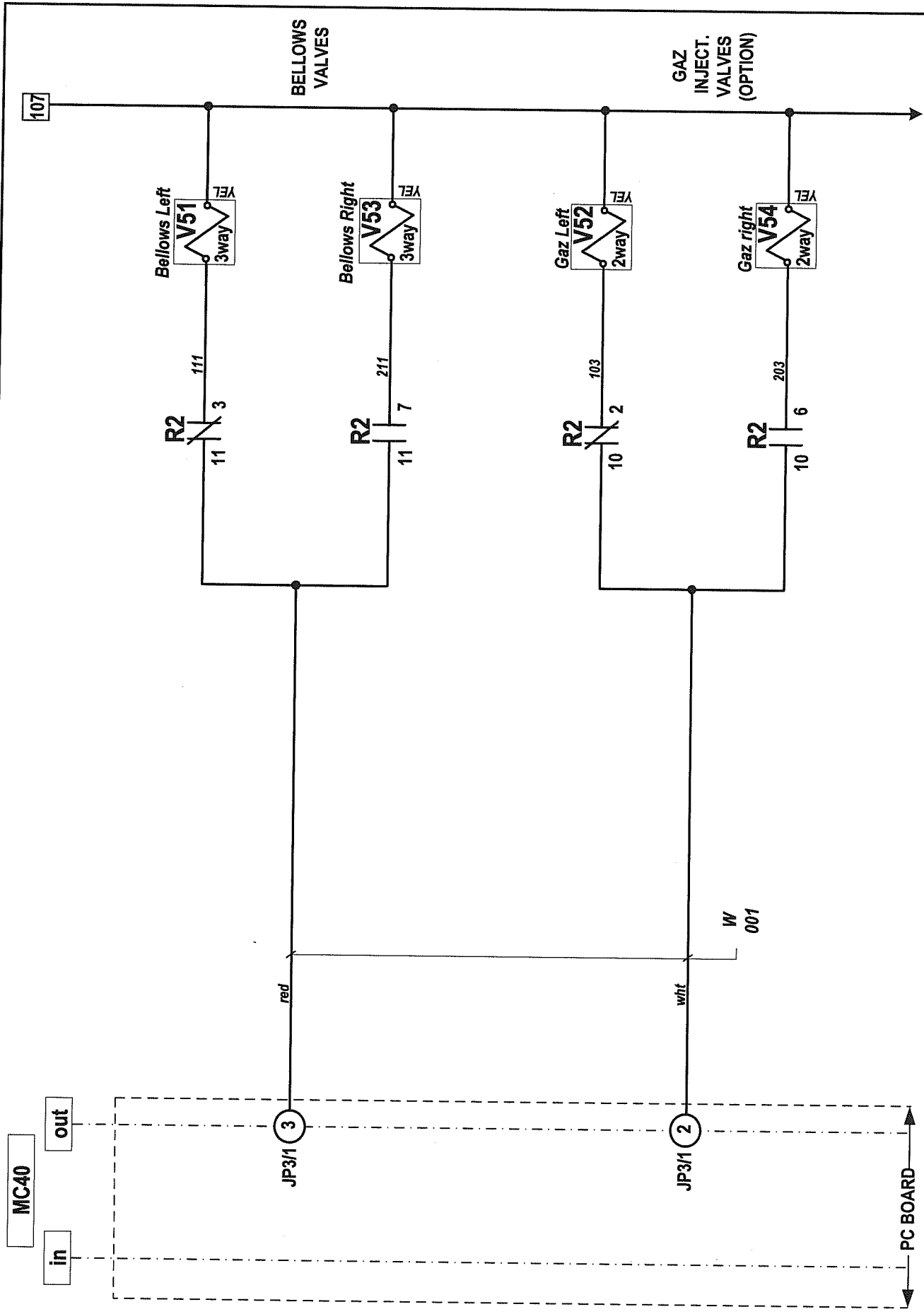


category	VACUUM PACK	model	650A	volt	ALL
system				circuit	block
usual functions				year	month
options				11	10
				day	18
				concept	draw
				PP	PP
				DL	DL
				006-1537	006-1537
				PAGE	PAGE
				1 de	5

RC filters must be connected on each AC coil (not shown on diagram)



MC40		W 001	
in	out	JP3/I 1	JP3/I 5
PC BOARD		PC BOARD	
<p>- The left or right sides are based on operator position facing the control panel</p> <p>- RC filters must be connected on each coil AC (not shown on diagram)</p>		<p>! (Warning symbol)</p>	
Category	VACUUM PACK	model	650A
System		vol	circuit
usual fonctions		year	11
options		month	10
		day	18
		block	4
ALL		concept	PP
concept		draw	PP
app		DL	DL
006-1537		PAGE 2 de 5	
SIPROMAC		St-Germain de Grantham	
		QUEBEC, CANADA	



MC40

VACUUM PACK model **650A** volL

category **VACUUM PACK** model **650A** volL

system **VACUUM PACK** model **650A** volL

usual functions **VACUUM PACK** model **650A** volL

options **VACUUM PACK** model **650A** volL

year **11** month **10** day **18** block **5**

concept **PP** draw **PP** app **DL**

SIPROMAC
St-Germain de Grantham
QUEBEC, CANADA

006-1537 PAGE 3 de 5

107

BELLOWS VALVES

Bellows Left
V51
3way
YEL

Bellows Right
V53
3way
YEL

R2
11 3
111

R2
11 7
211

Gaz Left
V52
2way
YEL

Gaz right
V54
2way
YEL

R2
10 2
103

R2
10 6
203

W 001

PC BOARD

JP3/1 3 red

JP3/1 2 wht

in

out

107

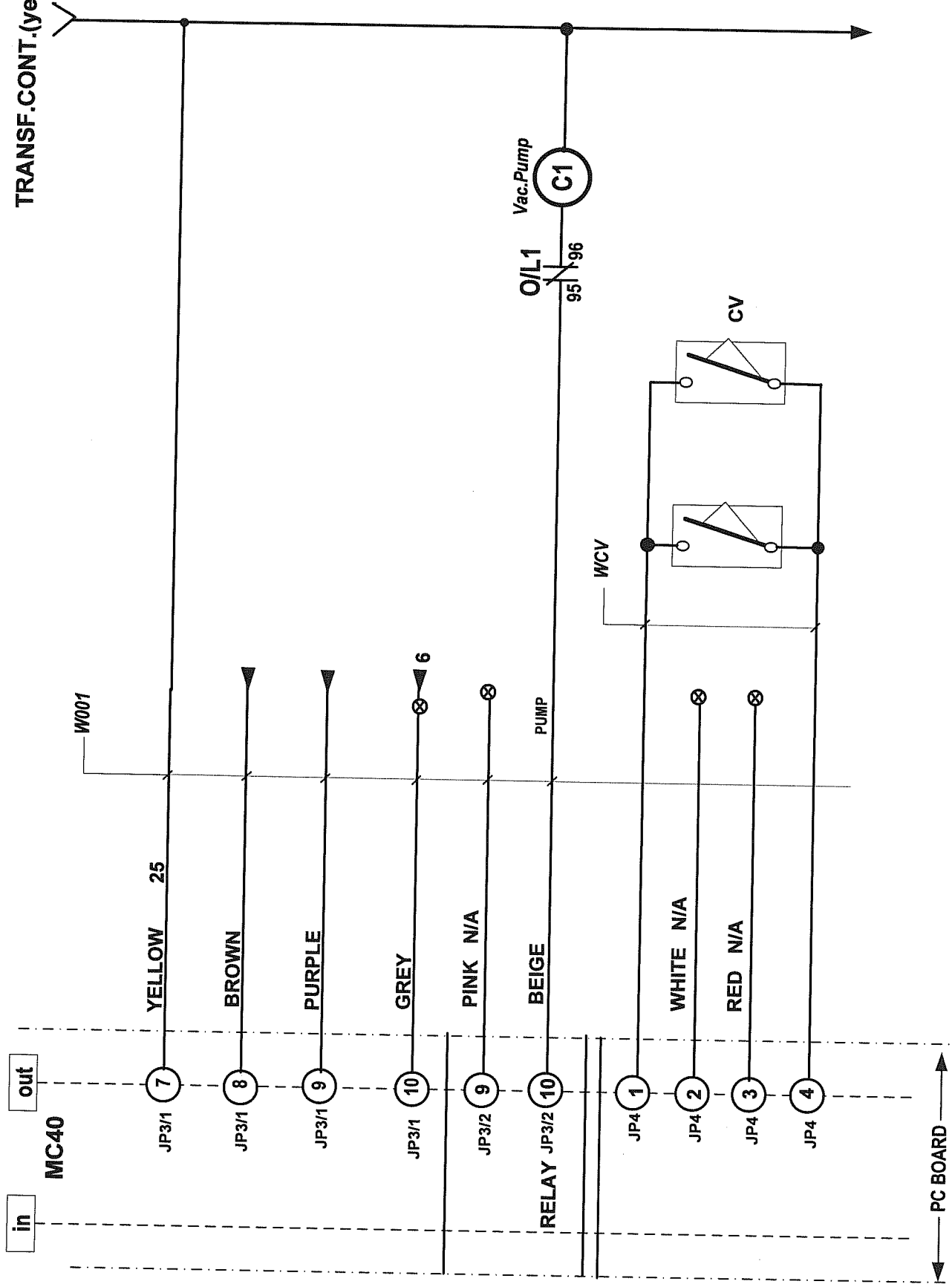
GAZ INJECT. VALVES (OPTION)

!

- The left or right sides are based on operator position facing the control panel

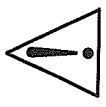
- RC filters must be connected on each coil AC (not shown on diagram)

TRANSF.CONT.(yel 25)



category	VACUUM PACK	model	650A	vol.	ALL
system				block	
usual functions				year	11
options				month	10
				day	18
				concept	PP
				draw	PP
				app	DL
				DL	006-1537
				PAGE	4 de 5

RC filters must be connected on each AC coil (not shown on diagram)



44

out

in

MC40

44

R1

GREEN

14

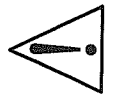
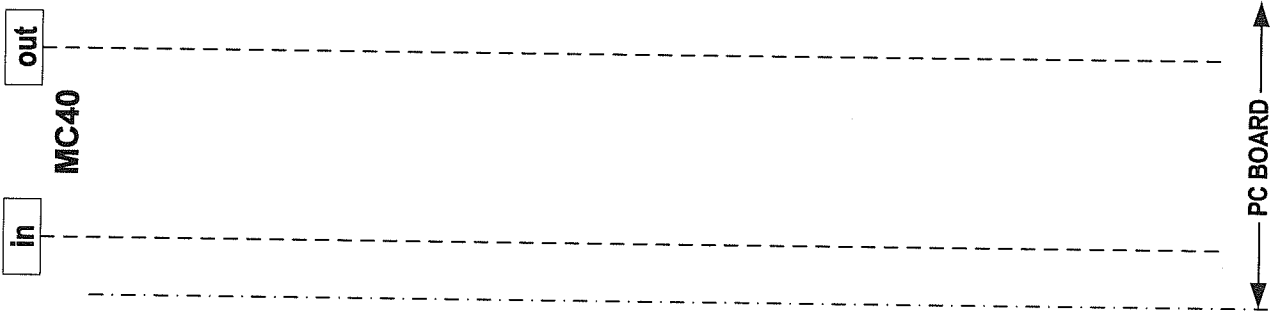
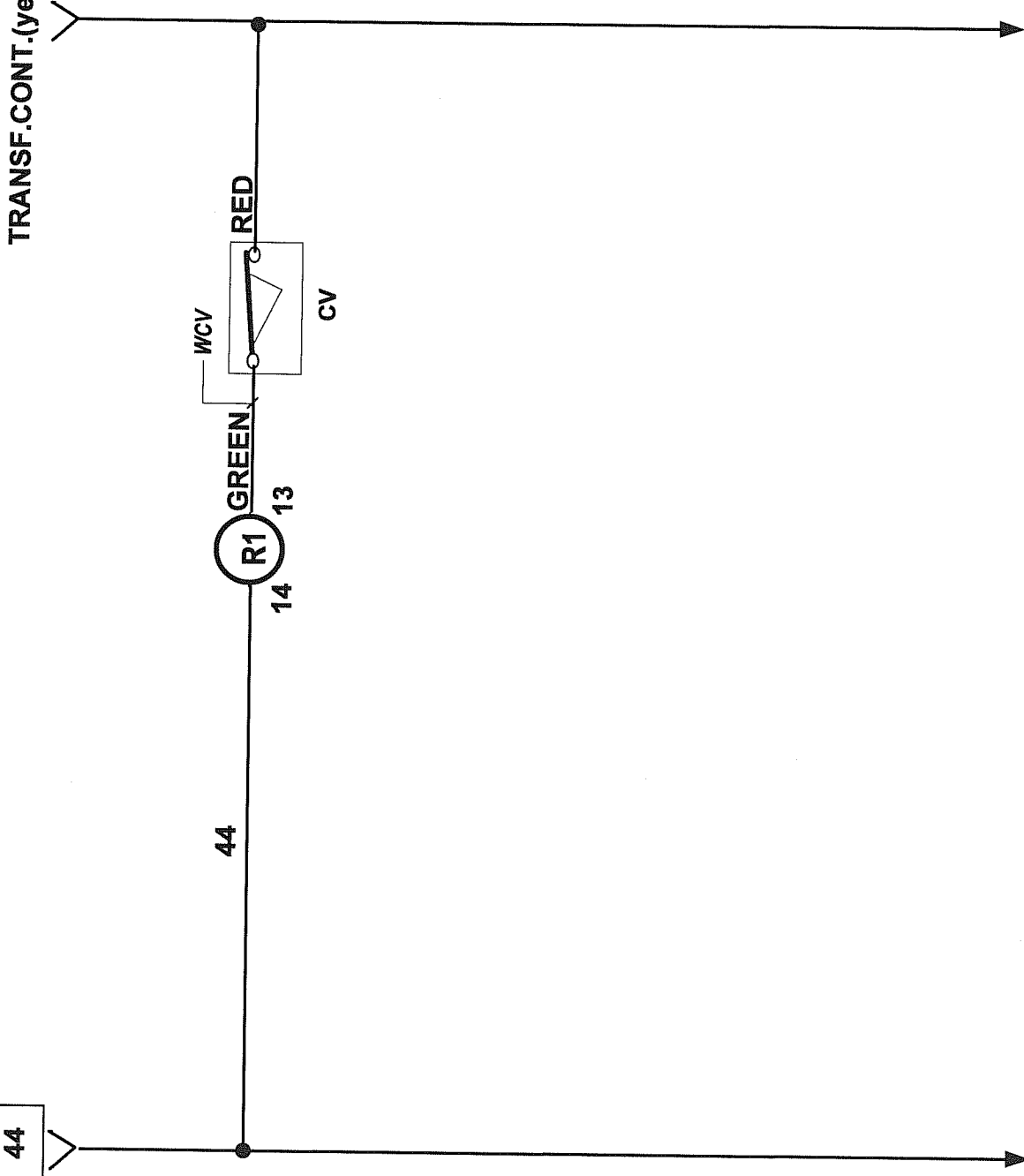
13

RED

WCV

CV

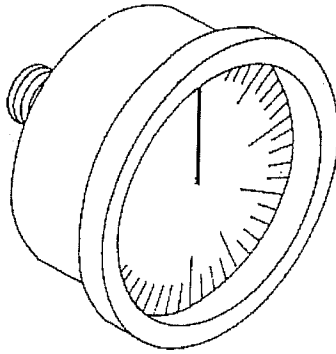
TRANSF.CONT.(yel 25)



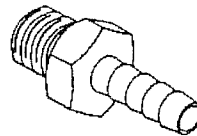
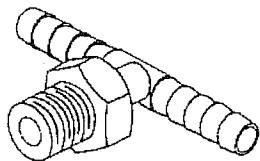
RC filters must be connected on each AC coil (not shown on diagram)

category	VACUUM PACK	model	650A	volt.	ALL
system				circuit	
usual				year	11
functions				month	10
options				day	18
				block	
				concept	PP
				draw	PP
				app	DL
				DL	DL
				006-1537	PAGE
				5 de	5
				SIPROMAC	
				St-Germain de Grantham	
				QUEBEC CANADA	

# SIPRO	PART DESCRIPTION	PART APPLICATION	MACHINE VOLTAGE	MACHINE	REF.	OPT.	QTY
028-0022	TERMINAL BLOCK M10/10	SUPPLY	208V/3PH/60HZ	650A	L1-L2-L3		3
028-0025	GROUND TERMINAL BLOCK M16/12P	SUPPLY	208V/3PH/60HZ	650A	GND		1
028-0060	SEPARATOR M4/6	SUPPLY	208V/3PH/60HZ	650A	L1-L2-L3		3
028-0080	BAM END STOP (BUTEE D'ARRET)	SUPPLY	ALL	650A			1
028-0105	GROUND BARRIER (6 HOLES)	SUPPLY	ALL	650A	GND		1
034-0710	FUSE HOLDER 60A/600V (HRCII)	VACUUM	208V/3PH/60HZ	650A	F1		3
034-0110	FUSE MIDGET 60A/600V	VACUUM	208V/3PH/60HZ	650A	F1		3
025-0040	MOTOR CONTACTOR 7.5HP IN 208V/3PH-CSA,UL	VACUUM RA-0165	208V/3PH/60HZ	650A	C1	A1	1
025-0200	THERMAL OVERLOAD 17 TO 25A-CSA,UL	VACUUM RA-0165	208V/3PH/60HZ	650A	O/L1	A1	1
030-0050	CAB TIRE	VACUUM RA-0165	208V/3PH/60HZ	650A	WM1	A1	2M.
125-0070	BUSCH RA-0165 230-460V/3PH/60HZ 7.5HP 27A	VACUUM RA-0165	208V/3PH/60HZ	650A	M1	A1	1
025-0050	MOTOR CONTACTOR 10HP IN 208V/3PH-CSA,UL	VACUUM RA-0255	208V/3PH/60HZ	650A	C1	A2	1
025-0210	THERMAL OVERLOAD 23 TO 32A-CSA,UL	VACUUM RA-0255	208V/3PH/60HZ	650A	O/L1	A2	1
030-0050	CAB TIRE	VACUUM RA-0255	208V/3PH/60HZ	650A	WM1	A2	2M.
125-0080	BUSCH RA-0255 230-460V/3PH/60HZ 10HP 27A	VACUUM RA-0255	208V/3PH/60HZ	650A	M1	A2	1
025-0070	MOTOR CONTACTOR 15HP IN 208V/3PH-CSA,UL	VACUUM RA-0305	208V/3PH/60HZ	650A	C1	A3	1
025-0220	THERMAL OVERLOAD 30 TO 40A-CSA,UL	VACUUM RA-0305	208V/3PH/60HZ	650A	O/L1	A3	1
030-0030	CAB TIRE	VACUUM RA-0305	208V/3PH/60HZ	650A	WM1	A3	2M.
125-0087	BUSCH RA-0305 230-460V/3PH/60HZ 12HP 32A	VACUUM RA-0305	208V/3PH/60HZ	650A	M1	A3	1
034-0700	FUSE HOLDER 30A/600V GOULD	SEALING	208V/3PH/60HZ	650A	F2		2
034-0530	FUSE MIDGET 20A/250V TIME-DELAY	SEALING	208V/3PH/60HZ	650A	F2		2
029-0172	TRANSFO 1500VA 208-240-480-600/30V	SEALING	208V/3PH/60HZ	650A	TR1		1
027-0220	TERMINAL ROUND STUD #10 600v 75°C	SEALING	ALL	650A			4
025-0020	CONTACTOR ITH=25A-CSA,UL	SEALING	ALL	650A	C2+C3		2
030-0410	TEW #10/104 BLACK	SEALING	ALL	650A	WEL		15M.
027-0210	TERMINAL FEMALE .250" INSULATED 600v 75°C	SEALING	ALL	650A	WEL		8
005B0547	SEAL BAR ASSY W/SUPPORT	SEALING TWIN SEAL	ALL	650A		B1	4
005B0548	SEAL BAR ASSY W/SUPPORT	SEALING BAG CUT	ALL	650A		B2	4
027-0220	TERMINAL ROUND STUD #10 600v 75°C	SEALING TOP & BOTTOM	ALL	650A		B3	2
025-0020	CONTACTOR ITH=25A-CSA,UL	SEALING TOP & BOTTOM	ALL	650A	C4	B3	1
030-0120	CAB TIRE	SEALING TOP & BOTTOM	ALL	650A	WTB	B3	3M.
027-0065	TERMINAL FLAG FEMALE YELLOW .250"	SEALING TOP & BOTTOM	ALL	650A	WTB	B3	4
005B0549	SEAL BAR ASSY W/SUPPORT	SEALING TOP & BOTTOM	ALL	650A		B3	4
005B0437	UPPER SEAL BAR ASSY W/SUPPORT	SEALING TOP & BOTTOM	ALL	650A		B3	4
034-0740	FUSE HOLDER M4/8SF	CONTROL TRANSFO	208V/3PH/60HZ	650A	F5		2
034-0205	FUSE 5X20MM 1A 250V T-DELAY	CONTROL TRANSFO	208V/3PH/60HZ	650A	F5		2
029-0010	TRANSFO 115VA 575-400-230-208-190/24-9	CONTROL TRANSFO	208V/3PH/60HZ	650A	TR2		1
034-0740	FUSE HOLDER M4/8SF	CONTROL TRANSFO	208V/3PH/60HZ	650A	F3+F4		2
034-0210	FUSE 5X20MM 2A/250V TIME DELAY	CONTROL 9VAC	ALL	650A	F3		1
034-0240	FUSE 5X20MM 4A/250V TIME DELAY	CONTROL 24VAC	ALL	650A	F4		1
030-0590	20AWG/12COND.PVC,UNSHIELD.300V	OUTPUT CONTROL	ALL	650A	W001		2.5M.

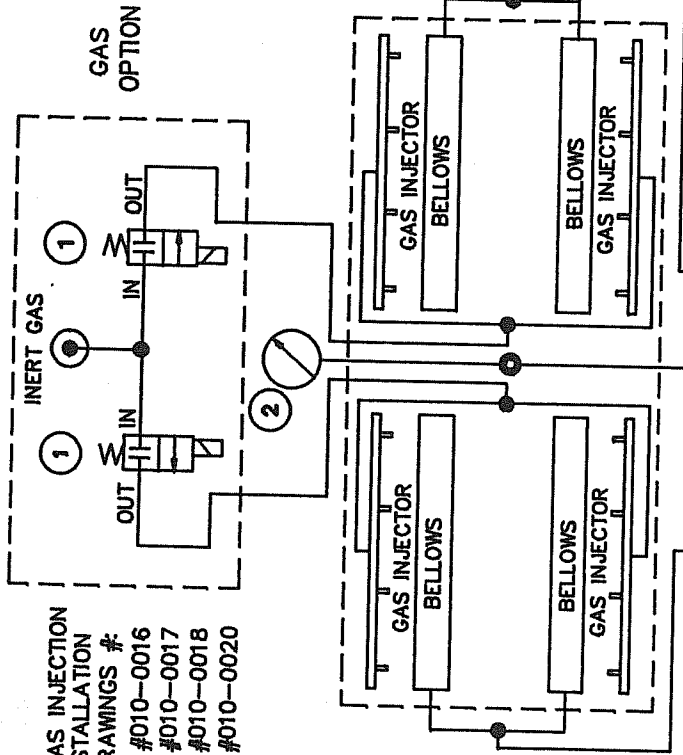


PNEUMATIC DRAWING



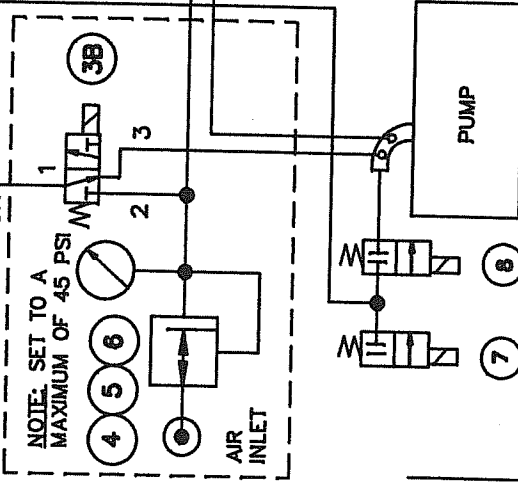
007-0019

-NOTE:
-FOR GAS INJECTION
KIT INSTALLATION
SEE DRAWINGS #:
420A: #010-0016
600A: #010-0017
620A: #010-0018
650A: #010-0020



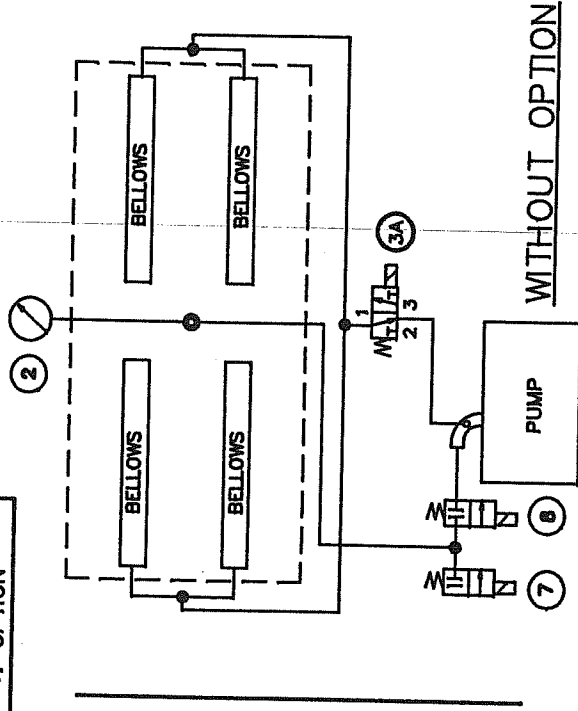
AIR REGULATOR OPTION

NOTE: SET TO A
MAXIMUM OF 45 PSI



-NOTE:
-FOR AIR REGULATOR
OPTION KIT INSTALLATION
SEE DRAWINGS # 010-0019
& 650A: #010-0027
(FOR EXISTING MACHINES)

WITH OPTIONS



WITHOUT OPTION

ITEM	PART #	DESCRIPTION	QT.
1	106-0010	GAS VALVE	2*
2	114-0260	VACUUM GAUGE	1
3A	106-0070	BELLOWS VALVE	1
3B	106-0070	BELLOWS VALVE	1*
4	114-0147	PRESSURE REGULATOR	1*
5	114-0245	PRESSURE GAUGE	1*
6	114-0170	PRESSURE REGULATOR SUPPORT	1*
7	106-0030	ATMOSPHERE VALVE FOR 420A	1
	106-0030	ATMOSPHERE VALVE FOR 600A, 083M ³ AND 100 M ³	
	106-0050	ATMOSPHERE VALVE FOR 800A & 620A; 160 M ³ AND 250 M ³	
8	106-0050	ATMOSPHERE VALVE FOR 650A & 700A	1
	106-0030	VACUUM VALVE FOR 420A	
	106-0050	VACUUM VALVE FOR 600A & 620A	
	106-0060	VACUUM VALVE FOR 650A & 700A	

*: OPTION

MACHINE	420A, 600A, 620A & 650A	SIPROMAC
PART	PNEUMATIC	ST-GERMAIN DE GRANTHAM QUEBEC CANADA
ITEM	CNC	N.T.S.
MAT:	DWG M.LAVIGNE	SCALE
INT.	DATE 97-03-11	QT. 1
LET.	RE-DRAWN	MODIFICATION
	DATE	DATE 97-03-11
	DATE	DATE
		NO. 007-0019

MANUEL D'UTILISATEUR

MICROPROCESSEUR MC-40 **AVEC OU SANS DÉTECTEUR DE VIDE**

EMBALLEUSE SOUS VIDE

TABLE DES MATIÈRES

I INSTRUCTIONS POUR LES OPÉRATIONS

II MÉCANIQUE

- A- Vue de face
- B- Vue de l'arrière
- C- Procédure d'ajustement du couvert
- D- Schéma de l'assemblage de l'axe central
- E- Barres de scellage
(Double scellage)
- F- Dessin des barres de scellage
(Option du coupe sac électrique)
- G- Dessins des barres d'assemblage
(Scellage du haut et du bas en option)
- H- Gas injection kit installation drawing
(gaz injection option)

III ELECTRIQUE

- A- Schéma électrique (Bas voltage)
- B- Schéma électrique (Haut voltage à une phase)
- C- Schéma électrique (Haut voltage à 3 phases)
- D- Schéma électrique (Haut voltage 1 phase 50 Hz)
- E- Schéma électrique (Haut voltage 3 phase 50 Hz)

IV PNEUMATQUE

- A- Schéma Pneumatique

EMBALLEUSES SOUS VIDE INSTRUCTIONS D'OPÉRATIONS

TABLE DES MATIÈRES

1. Mise en marche de la machine
2. Connexion Électrique
3. Opération
 - 3.1 Principes de travail
 - 3.2 Emballage Spécial
 - 3.2.1 Injection de Gaz
 - 3.2.2 Scellage haut et bas
(bi-active sealing)
 - 3.2.3 Coupe sac électrique
 - 3.3 Ajustement des contrôles digital
 - 3.4 Nettoyage Quotidien
4. Trouble de lancement
 - 4.1 Échec durant le cycle d'emballage
 - 4.2 Vide insuffisant
 - 4.2.1 Fuites dans le sac
 - 4.2.2 Pas de fuite dans le sac
 - 4.2.3 Vide insuffisant dans la chambre
 - 4.3 Scellage Inadéquat
 - 4.3.1 Scellage insuffisant
 - 4.3.2 Pas de scellage
 - 4.3.3 Courant ininterrompu sur les barres de scellage
 - 4.3.4 Le scellage ne tient pas
 - 4.4 Problème avec les valves
 - 4.5 Problème du panneau de contrôle
5. Maintenance Régulière

SIPROMAC INC.

EMBALLEUSES SOUS VIDE

1. MISE EN PLACE DE LA MACHINE:

Avant de choisir le site d'installation de votre machine, veuillez considérer que vous aurez besoin d'espace pour les produits emballés et non-emballés à part de l'espace occupé par la machine elle-même.

Bien vouloir vous rappelez que vous aurez besoin d'un sol bien au niveau pour votre installation. Spécialement avec les modèles mobiles, le poids de la pompe peut gauchir la machine et le couvercle ne fermera plus correctement.

Avant de commencer à travailler, vérifier l'huile de la pompe pour voir si elle est en quantité suffisante. Bien vouloir ne jamais utiliser une huile autre que celle recommandée par le fabricant. Ne pas excéder la quantité indiquée quand vous ajoutez ou faites le changement d'huile et faites votre vérification hebdomadairement.

En raison de la viscosité de l'huile, la machine sera plus difficile à démarrer à basses températures. Ainsi donc la pompe doit être placée dans un endroit où la température est d'au moins 50°F (+10°C). D'autre part, l'air doit circuler librement aux alentours de la pompe pour permettre le refroidissement dans les cas où la température des opérations atteindrait 160°F (70°C) ou la température maximale permise.

2. CONNEXION ÉLECTRIQUE:

Les connexions électriques doivent se faire par du personnel qualifié. La personne désignée doit s'assurer que les entrées électriques correspondent au voltage et à l'ampérage approprié de la machine.

Un schéma électrique accompagne chacune de nos machines.

Une étape importante dans le branchement de la machine est de s'assurer que le moteur de la pompe tourne dans une rotation appropriée.

Attention: Le moteur de la pompe ne devrait pas tourner plus de 3 ou 4 secondes dans une mauvaise rotation car il en résultera des dommages sérieux. La rotation est indiquée par une flèche sur le moteur de la pompe.

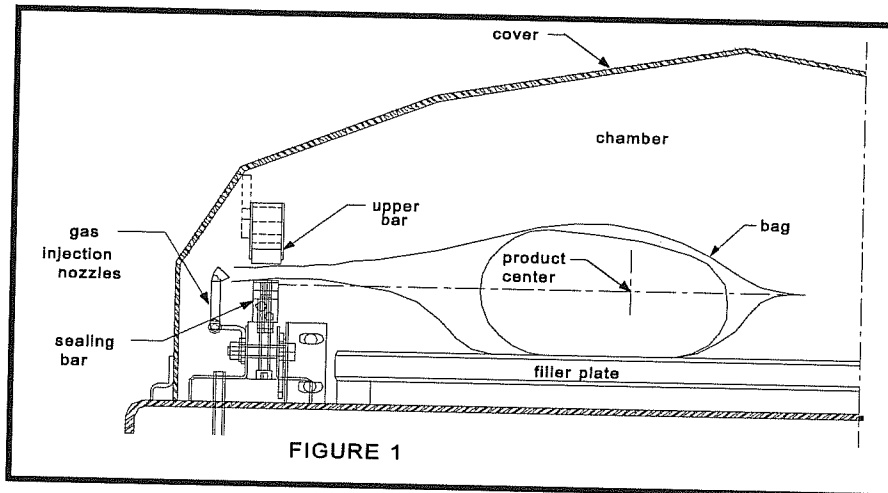
3. OPÉRATION:

3.1 Principes de travail:

Un emballage sous vide est un cycle composé de 3 étapes. Premièrement le vide est fait et l'air est complètement enlevé de la chambre et du sac contenant le produit. (Voir figure 1). Ensuite c'est possible d'injecter du gaz neutre par les conduits si le produit est très délicat. Finalement, un mécanisme pousse la barre de scellage sur le support de caoutchouc pour sceller le sac

Pour obtenir de beaux emballages, les produits et les sacs doivent être de taille proportionnelles. L'ouverture du sac ne devrait jamais excéder 2" (50cm) au delà des barres de scellage. Le produit doit être centré en hauteur par rapport aux barres de scellage en ajustant les écarteurs qui vous sont fournis.

Pour obtenir un bon scellage, assurez-vous qu'il n'y a pas de résidu de graisse qui reste entre les côtés intérieurs des sacs où le scellage doit être fait.



3.2 Emballage Spécial:

3.2.1 Injection de Gaz (option):

Il y a une pression atmosphérique de 14 lbs / pouce carré (= 1 kg / cm carré) sur les produits quand le vide demandé est atteint. Les produits qui peuvent être endommagés par une haute pression doivent être emballés avec un vide partiel et la pression doit être contrebalancée en injectant du gaz dans le sac (nitrogène ou dioxyde de carbone) avant le scellement et après avoir atteint le vide.

Pour l'injection de gaz, les sacs sont placés sur les barres de scellage, l'ouverture placée au-dessus des conduits de gaz qui sont montés le long des barres de scellage. Après que le vide soit atteint, la valve du vide se ferme et la valve du gaz s'ouvre. Le pourcentage de gaz peut être ajusté par le menu du programme.

Le réservoir de gaz et la valve de pression qui est rattachée au réservoir ne sont pas fournis par Sipromac. La pression pour le régulateur de gaz devrait être ajustée approximativement à 5 lbs/pouce carré (1/3 Kg/cm carré). Chaque machine a un adaptateur pour la connexion de gaz quand l'option de l'injection de gaz est commandée.

3.2.2 Scellage Haut et Bas (optionnel):

Pour le scellage des sacs en aluminium comme pour le café il est impératif d'avoir une barre de scellage en haut et en bas.

3.2.3 Coupe sac électrique: (optionnel):

Cette option est utilisée pour obtenir un paquet dont l'excédent de film au niveau du scellage doit être coupée très près de la ligne de scellage. (cette option ne peut pas être utilisée avec le scellage Haut et Bas)

3.3 Les opérations de l'emballage sous vide:

Note: Reportez-vous aux menus structure de la page 8 et aux détails du panneau de contrôle sur la page 9

3.3.1 Bases:

Utilisez la touche "POWER" pour initier le bouton ON/OFF sur votre machine sous vide. Quand votre unité sera en fonction le dernier programme exécuté apparaîtra sur l'écran à cristaux liquides.

Utilisez la touche "ESC" pour passer du menu programme au menu fonctions et du menu des fonctions au menu des programmes.

Dans le menu des fonctions, utilisez la touche "SELECT" pour sélectionner une fonction et la touche "ENTER" pour exécuter la sélection.

Dans le menu des programmes, utilisez la touche "SELECT" pour sélectionner un programme et la touche "Enter" pour accéder ou modifier la sélection.

Dans les programmes du sous menu, utilisez la touche "ENTER" pour voir défiler les paramètres et lorsque ces derniers clignotent pour indiquer ils sont dans le mode d'acquisition. Quand la séquence de tous les paramètres se sont affichés, on revient automatiquement au début de la liste.

Dans les programmes du sous menu, utilisez la touche "ESC" pour revenir au menu des programmes. Pressez n'importe quelle touche pour effacer les messages d'erreur qui peuvent s'afficher sur l'écran à cristaux liquide.

3.3.2 Menu des fonctions:

3.3.2.1 Créer un programme:

Quand vous exécutez la fonction "create a program", le programme sous menu est atteint en commençant par l'identification. L'identification initiale "PxxNO NAME" est donné au programme et tous les paramètres sont établis à zéro; le numéro du programme est alloué automatiquement.

3.3.2.2 Supprimer un programme:

En exécutant la fonction de "delete a program", vous avez accès au menu des programmes et le numéro du premier programme en mémoire clignote pour indiquer le mode de suppression. Utilisez la touche "SELECT" pour sélectionner un programme et la touche "ENTER" pour avoir accès et confirmer la suppression de la sélection. Utilisez la touche "ESC" pour annuler une suppression et quitter la fonction. Quand vous quittez la fonction, le nombre des programmes actuels sur l'écran à cristaux liquides cesse de clignoter.

3.3.2.3 Choisir le mode d'opération:

Quand vous exécutez la fonction "Select Operating Mode", laquelle est disponible seulement pour les unités automatiques, la sélection en cours clignote pour vous indiquez le mode. Utilisez la touche "SELECT" pour parcourir les modes d'opération, lesquels sont automatiques, semi-automatiques et manuels.

Le mode d'opération sera validé et exécuté automatiquement. Utilisez la touche "ESC" ou "ENTER" pour quitter la fonction et retourner au menu des programmes.

3.3.3 Menu des Programmes:

3.3.3.1 Identification des Programmes:

Pour un programme sélectionné, choisissez l'identification en utilisant le panneau de contrôle numérique avec la chartre des caractères et pressez sur la touche numérique jusqu'à ce que le caractère soit sélectionné (4 x pour la valeur numérique). Utilisez la touche "ENTER" pour valider le caractère ainsi que la chaîne de caractères jusqu'à la fin (la nouvelle chaîne de caractères clignote). Vous pouvez utiliser la touche "ESC" pour revenir en arrière dans le cas où vous vous êtes trompé et que vous voulez effacer le caractère.

Example: EXAMPLE 1 → (9 caractères)

Touche 2, 2, ENTER	→ E
Touche 8, 8, 8, ENTER	→ X
Touche 1, ENTER	→ A
Touche 5, ENTER	→ M
Touche 6, ENTER	→ P
Touche 4, 4, 4, ENTER	→ L
Touche 2, 2, ENTER	→ E
Touche 9, 9, 9, ENTER	→ espace
Touche 1, 1, 1, 1, ENTER	→ 1

Touche ENTER pour valider la chaîne de caractères

3.3.3.2 L'ajustement du niveau de Vide (capteur de vide désactivé):

Pour un programme sélectionné, ajustez le niveau de vide, en secondes; la validation est automatiquement exécutée après la deuxième entrée digitale (Le nouveau temps de vide clignote). En cours de traitement, utilisez la touche "ENTER" pour valider la valeur du niveau de vide et la touche "ESC" pour revenir en arrière et changer la valeur du niveau de vide (La valeur du niveau de vide la plus ancienne clignotera à ce moment).

Exemples: 1 sec. → Touches 0, 1 ou 1, ENTER
15 sec. → Touches 1, 5

3.3.3.3 L'ajustement du niveau de Vide (capteur de vide en activé):

Pour un programme sélectionné, ajustez le niveau de vide avec les valeurs; le point décimal est automatiquement inséré suivant la deuxième entrée digitale et la validation est automatiquement exécutée après la troisième entrée digitale (La nouvelle valeur du niveau du vide clignote). Le niveau de vide est arrondi à la demie la plus près de la valeur. En cours de traitement, utilisez la touche "ENTER" pour valider la valeur du niveau de vide et la touche "ESC" pour revenir en arrière et changer la valeur du niveau de vide (La valeur du niveau de vide la plus ancienne clignotera à ce moment). Ajustez le niveau du vide à zéro pour pouvoir contourner le capteur de vide et procédez en réglant seulement le " Temps de vide Plus" (Vacuum plus time).

Exemples: 90.0% → Touches 9, 0, 0 ou 9, 0, ENTER ou
Touches 9, 0, 1 ou 9, 0, 2 or 9, 0, 3 ou 9, 0, 4
97.5% → Touches 9, 7, 5 ou
Touches 9, 7, 6 ou 9, 0, 7 or 9, 0, 8 ou 9, 0, 9
0.0% → Touches 0, 0, 0 ou 0, ENTER

3.3.3.4 Ajustement du Temps de Vide "Plus" (capteur de vide activé):

Pour un programme sélectionné, réglez le "temps de vide plus" en secondes; la validation est automatiquement exécutée après la deuxième entrée digitale (La nouvelle valeur du "temps de vide plus" clignotera à ce moment). En cours de traitement, utilisez la touche "ENTER" pour valider la nouvelle valeur du "temps de vide plus" et la touche "ESC" pour revenir et recommencer avec de nouvelles valeurs (la valeur la plus ancienne du "temps de vacuum plus" clignotera).

Exemples: 1s → Touche 0, 1 or 1, ENTER
15s → Touche 1, 5

3.3.3.5 Ajustement de l'injection de gaz (capteur de vide désactivé):

Pour sélectionner un programme placer le niveau d'injection de gaz en suivant la même procédure que pour le niveau de vide. Gardez en mémoire que plus le temps d'injection de gaz est haut, moins la pression du sellage sera forte. Un certain niveau de vide doit être maintenu pour un bon fonctionnement.

3.3.3.6 Ajustement de l'injection de gaz (capteur de vide activé):

Pour sélectionner un programme placer le niveau d'injection de gaz en suivant la même procédure que pour le niveau de vide; L'ajustement pour le gaz le plus haut devrait être de 10% au-dessous du niveau de l'ajustement de vide.

3.3.3.7 Ajustement du cachetage:

Pour sélectionner un programme le temps de cachetage, en commençant par les secondes; le point décimale est automatiquement insérée après la première entrée de chiffre et la validation est automatiquement effectuée après la troisième entrée de chiffre (le nouveau temps de cachetage clignote). Le temps de cachetage est arrondi à la moitié la plus proche du cent. À un milieu l'entrée des données, utiliser la clé "ENTER" pour valider l'heure du cachetage et la clé " ESC " pour revenir en arrière et reprogrammer le temps cachetage avec de nouvelles données (le vieux temps de cachetage clignote).

Exemples: 4.50s → clés 4, 5, 0 or 4, 5, ENTER or
clés 4, 5, 1 or 4, 5, 2 or 4, 5, 3 or 4, 5, 4
2.35s → clés 2, 3, 5 or
clés 2, 3, 6 or 2, 3, 7 or 2, 3, 8 or 2, 3, 9
0.00s → clés 0, 0, 0 or 0, ENTER

3.3.4 Exécution de cycle de vide :

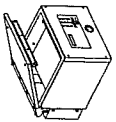
Pour les unités manuels ainsi que les unités automatiques faire la mise en marche manuelle, fermer le couvercle afin de lancer un cycle de vide. Pour l'unité automatique faire mise en marche semi-automatique ou automatique, utilisez le bouton "ARRÊT / DÉBUT" pour lancer ou interrompre un cycle de vide. Le programme sélectionné peut être lancé seulement dans le programme du menu, au moment où aucune modification n'est nécessaire, et l'accès des autres programmes et des fonctions ne sont pas requis. Pendant l'exécution du cycle le statut d'opération est séquentiellement affiché sur l'écran à cristaux liquides, excepté pour les paramètres établis à zéro, qui ne sont pas montrés:

- niveau de vide de la chambre pendant la séquence,
- vide additionné du temps pendant le vide plus la séquence,
- niveau de vide de la chambre pendant la séquence d'injection de gaz,
- statut de temps de cachetage pendant la séquence de cachetage,
- niveau de vide de la chambre pendant La séquence d'atmosphère .7

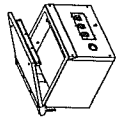
Pendant l'exécution du cycle, utilisé la clef "1" pour interrompre la séquence de vide et pour exécuter la séquence suivante, soit l'injection du gaz ou le cachetage, suivi de la clé "ENTER" afin d'accéder et modifier le programme; les paramètres deviennent valides seulement pour les cycles suivants de vide.

3.3.5 System monitor:

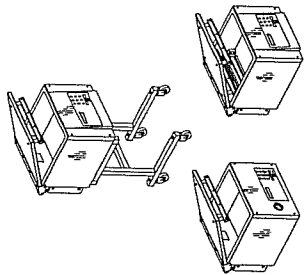
Pour accéder le menu des diagnostics, monter la puissance de la machine d'emballage sous vide tout en maintenant le bouton "ESC" enfoncé. Utilisez la clé "SELECT" pour choisir la fonction du système du moniteur et "ENTER" pour accéder et visualiser les paramètres surveillés. Employez la clé "SELECT" pour changer la révision de logiciel, la quantité d'heures de travail faites et de la quantité de cycles complets exécutés depuis la première initialisation.



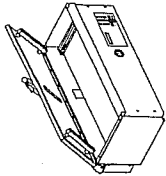
250



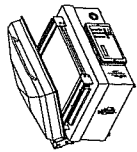
300



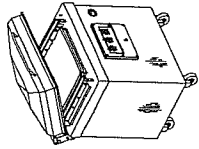
350/350D



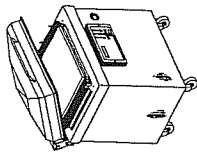
380A



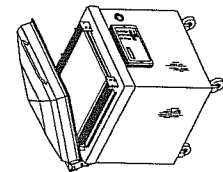
450T



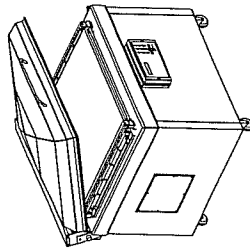
400A



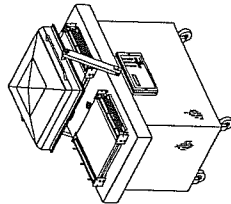
450A



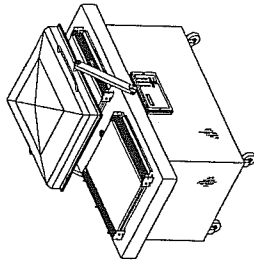
550A



580A

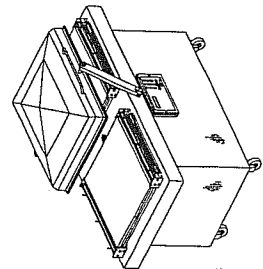


420A

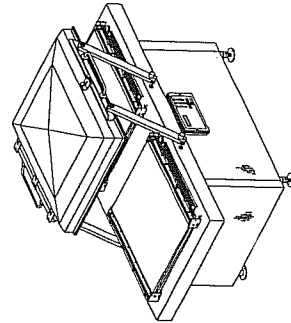


600A

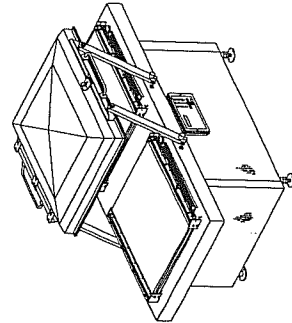
VACUUM PACKAGING MACHINES



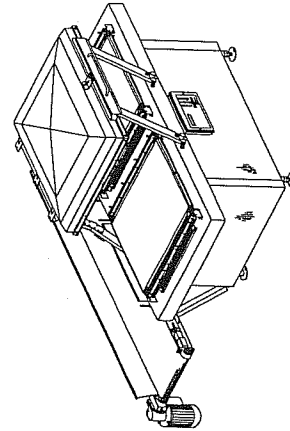
620A



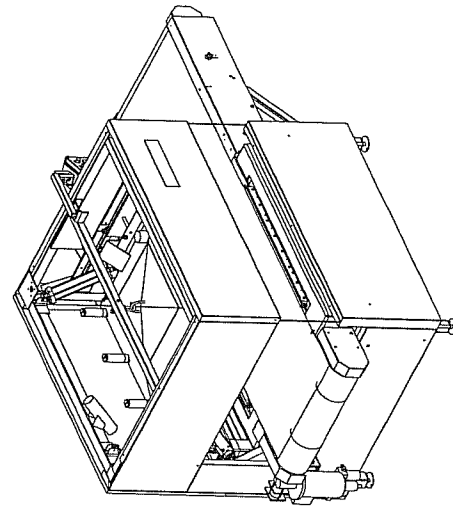
650A



680A



700A



750A