



**ST-10P**

**Hot Water Shrink Tank**

# **Operation Manual**

Version 6.9.1

1915 E. Acacia Street, Ontario, CA91761, U.S.A

TEL : 1-909-923-3888

FAX : 1-909-923-3588

<http://www.promaxvac.com>

S/N:

\_\_\_\_\_

QC SIGNATURE:

\_\_\_\_\_

## INDEX

<b>SAFETY RECOMMENDATION .....</b>	<b>1</b>
<b>1. APPLICATIONS .....</b>	<b>2</b>
<b>2. TRANSPORTATION INSTRUCTION .....</b>	<b>2</b>
<b>3. ST-10 SPECIFICATION .....</b>	<b>3</b>
<b>4. INSTALLATION .....</b>	<b>3</b>
<b>5. OPERATION .....</b>	<b>4</b>
<b>6. TROUBLESHOOTING .....</b>	<b>4</b>
<b>7. ELECTRICAL DIAGRAM .....</b>	<b>5</b>
<b>8. FABRICATION .....</b>	<b>7</b>
<b>8.1 BODY .....</b>	<b>7</b>
<b>8.2 WORKING BED DIAGRAM .....</b>	<b>10</b>
<b>8.3 OPERATOR BOX.....</b>	<b>12</b>
<b>8.4 ELECTRICAL BOX .....</b>	<b>14</b>
<b>8.5 CONTROL PANEL .....</b>	<b>16</b>

# **SAFETY RECOMMENDATION**

Certain Practices Or Minor Modifications On The Part Of The User May Increase The Risk Of Damage And/Or Accidents.

In The Interest Of Safe Installation, Handling And Maintenance, The Following Recommendations Should Be Strictly Followed:

- 1) Do not attempt to start or handle the machine until all safety topics, installation instructions, operator's guide and maintenance procedures have been fulfilled and understood.
- 2) All adjustments, repairs must only be carries out by qualified maintenance personnel, according to the instructions in this manual.
- 3) The operator must never insert hands, rags, etc, inside the machine while it is functioning.
- 4) Do not place tools, parts or other objects on or inside the machine.
- 5) Always keep the machine clean, oiled and in good working condition.
- 6) To provide continued protection against risk of electrical shock. Connect to properly grounded outlets only.
- 7) Always disconnect machine from power source (main power switch) as show on next page before removing service panel.

# 1. APPLICATIONS

Frozen food, sea food, prepared food, meat, soaked foods, products ... etc.

Recommendation of vacuum pouch – Vacuum shrink film must be applied.

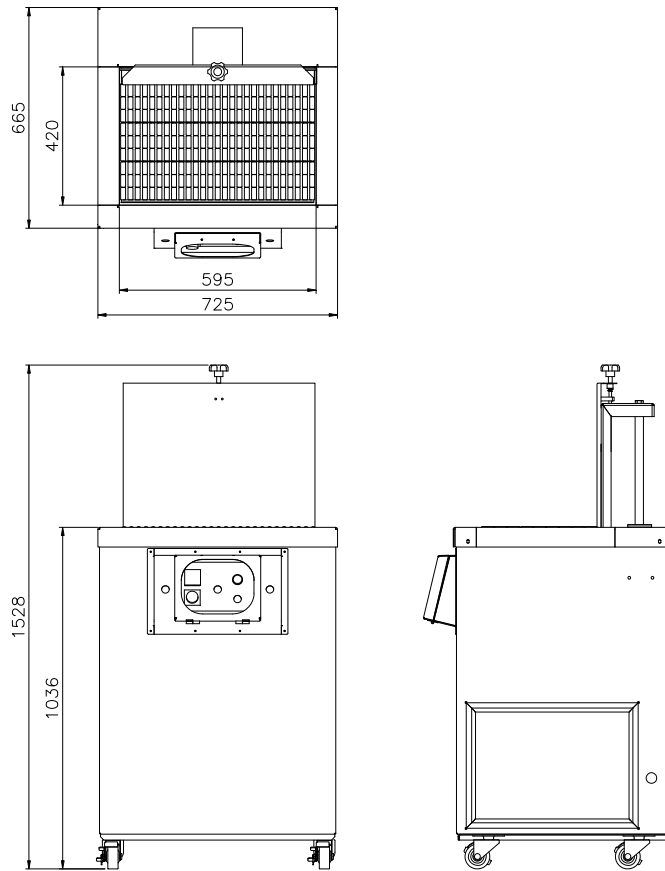
## 2. TRANSPORTATION INSTRUCTION

For the transportation and placing of this machine have a forklift truck available (keep in mind weight of the machine before lifting)

Precautions to take:

- Before lifting balance the machine by adjusting the forks of the fork lift before lifting the machine. Make sure the machine is safe to lift
- Lift the machine with the forklift, from the front of the machine (opposite to the electrical box). Check for components hanging under the machine before lifting because it may cause machine to fall.
- Always lift the machine by placing the forks of the truck between the two free casters of the machine; never lift it by the ends or extensions.
- Always take the utmost care when carrying out lifting and moving operations.
- Approximate Weight of the machine:100kg or 200 lbs.
- Before installation, remove the pallet under the machine then place the machine down for installation.

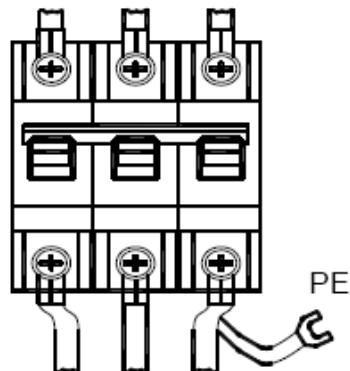
### 3. ST-10P SPECIFICATION



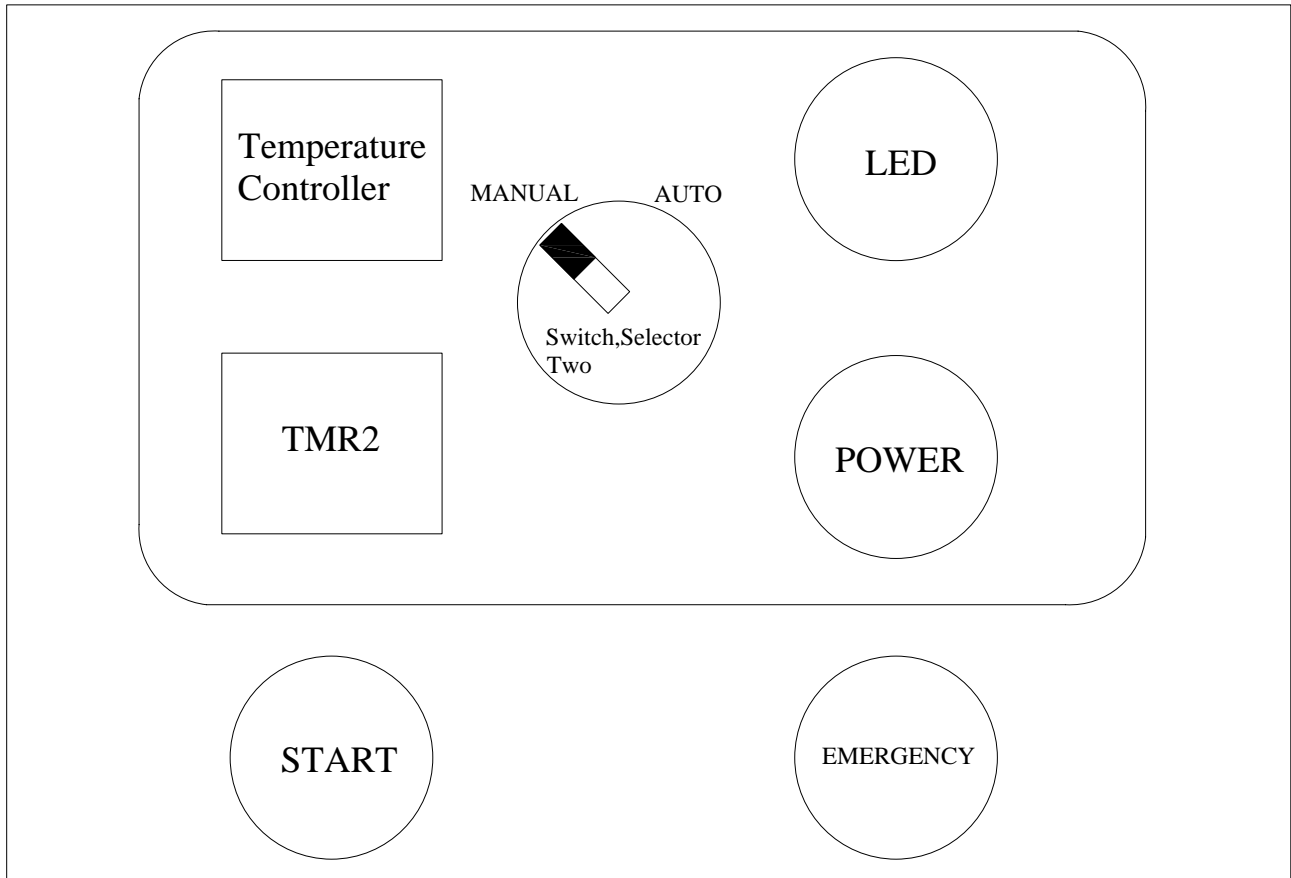
### 4. INSTALLATION

#### PLUG-UP POWER CORD

Before plug-up the power cord make sure you have right power source to hook up the pump.  
Please look at the back of the machine for the current requirement.



## 5. OPERATION



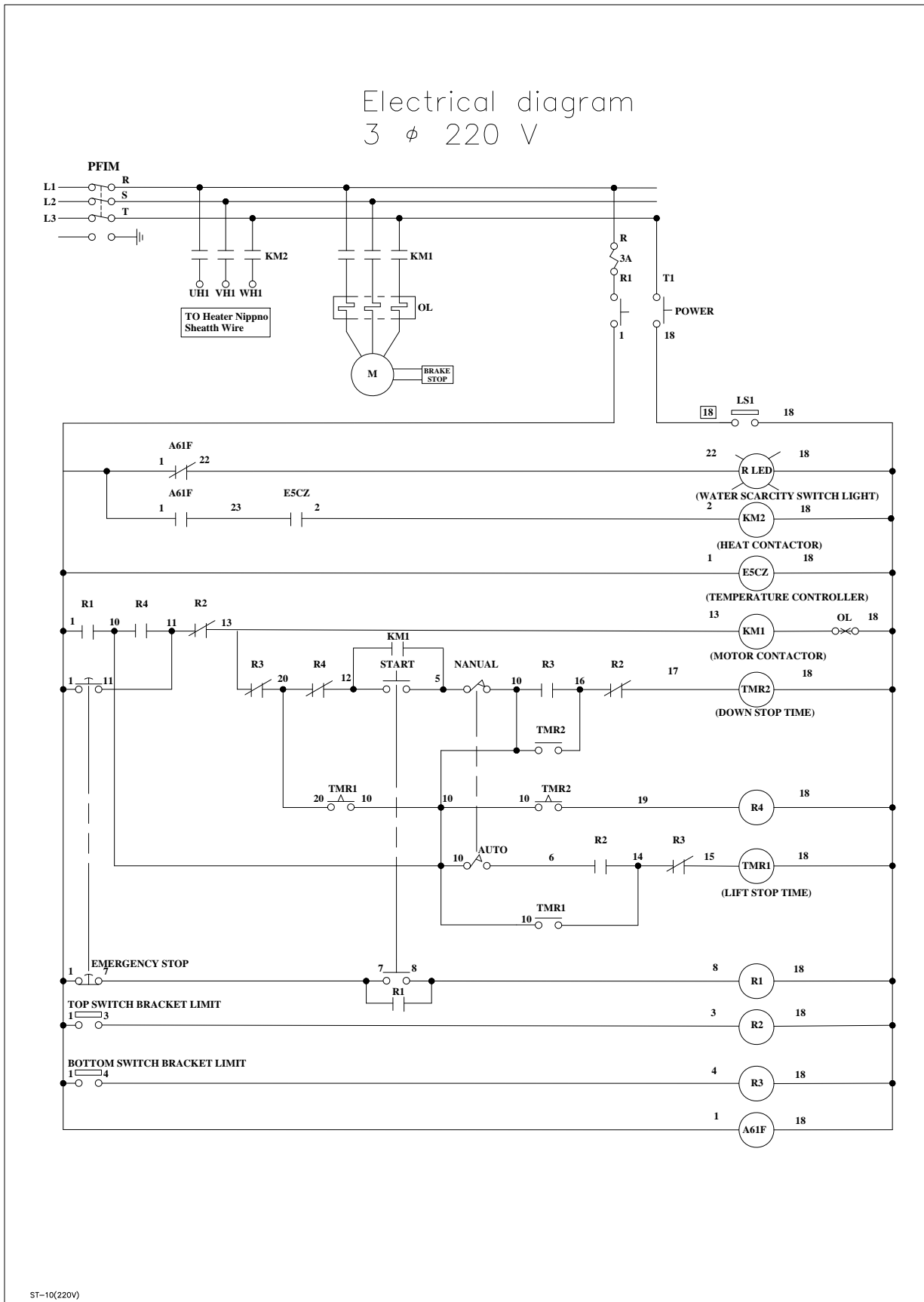
- 1、Led—Lamp,indicator.
- 2、Power—Electrical ON/OFF
- 3、Emergency—push this button to stop the operation.
- 4、Switch,Selector Two—Automatic or manual operation switch.
- 5、Temperature Controller—Set the temperature according to the material of film and its thickness. More detail information controller please refer to the user's manual.
- 6、TMR2—this timer is to control the dipping time.
- 7、START—push this button to start the operation.

## 6. MAINTENANCE

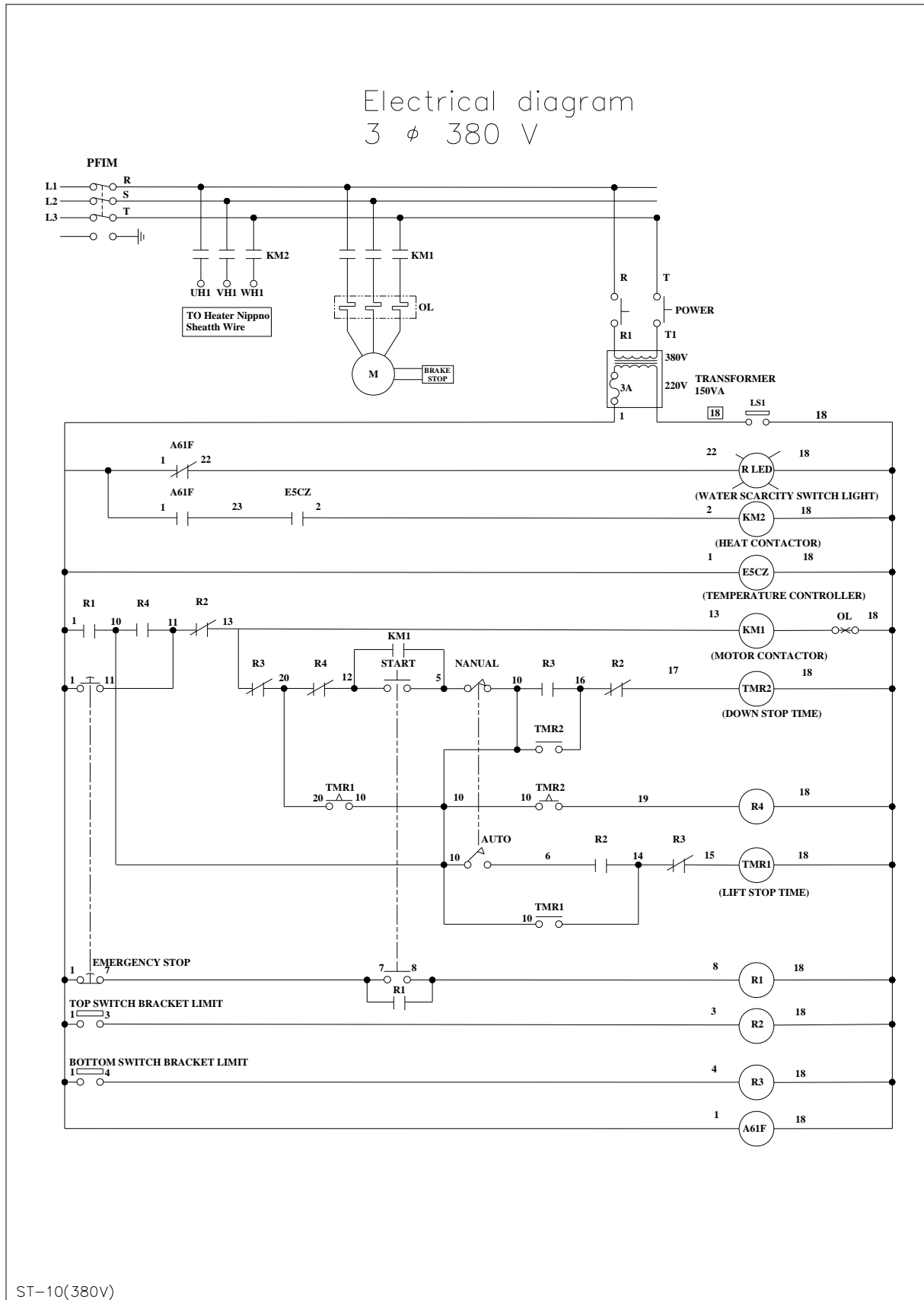
### DAILY MACHINE CLEANING

The hot water shrink tank should be cleaned every day. We recommend cleaning by hand with a mild detergent. Do not directly hose down machine.

# 7. EXELECTRICAL DIAGRAM



# 7. ELECTRICAL DIAGRAM

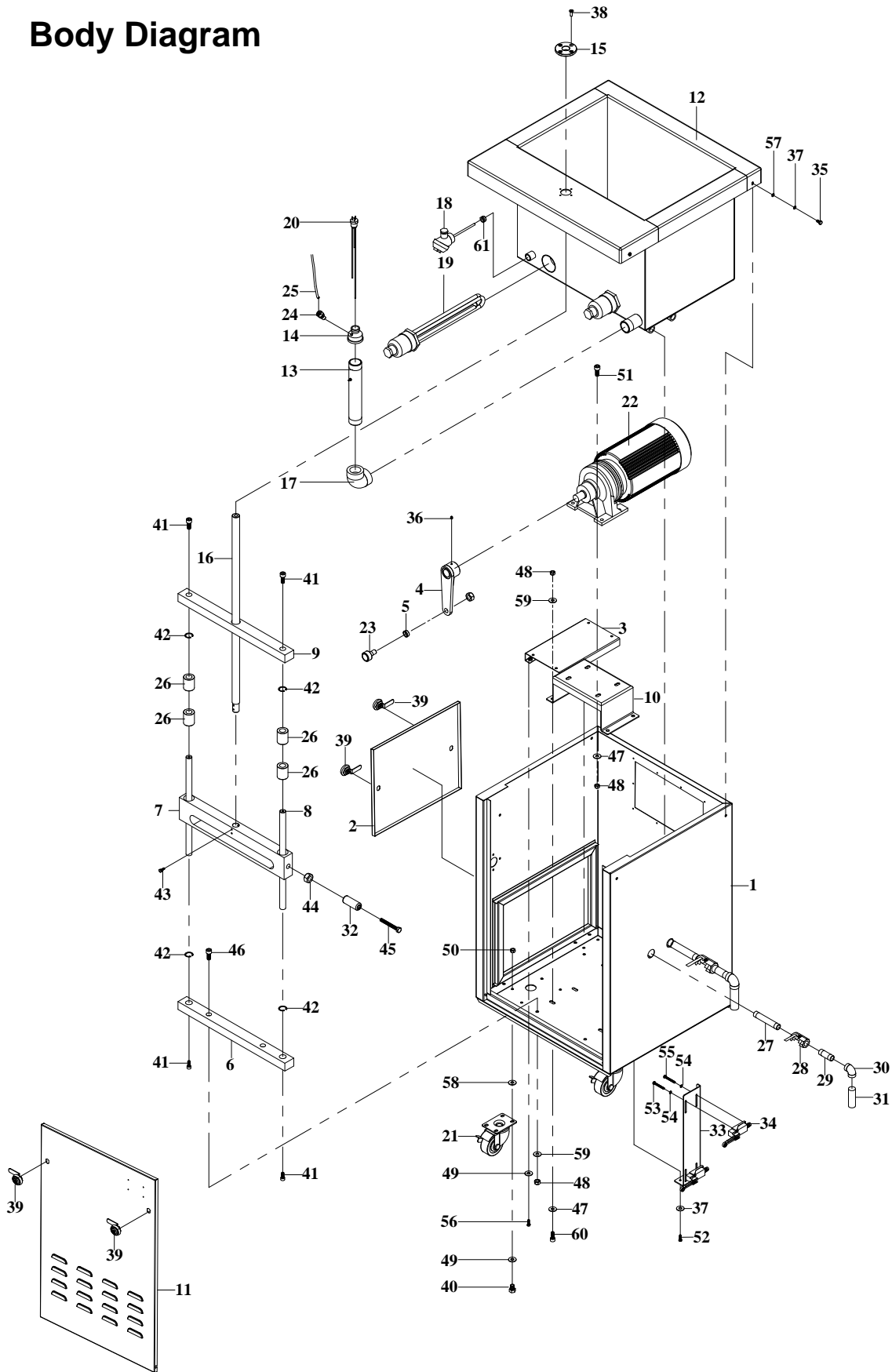




# 8. FABRICATION

## 8.1 BODY

### Body Diagram



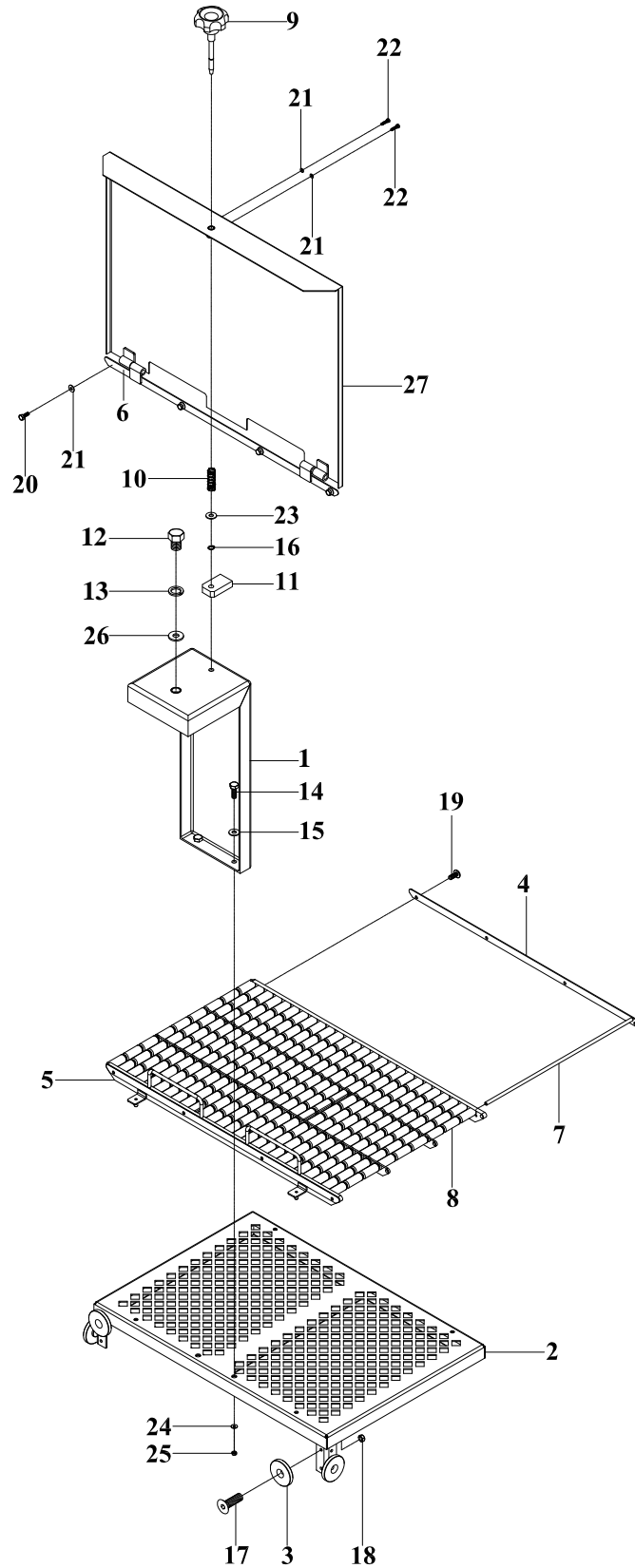
S10P100000

NO.	PART NO.	DESCRIPTION	QTY	NOTE
1	S10P101000	Frame	1	
2	ST10102003	Plate , Frame Rear Cover	1	
3	ST10103002	Mount, Electrical Box	1	
4	ST10104000	Arm, Lifting Up	1	
5	ST10105000	Bushing	1	
6	ST10106000	Mount, Guide	1	
7	ST10107000	Plate, Lift Guide	1	
8	ST10108000	Guide	2	
9	ST10110000	Top Fixed Plate	1	
10	ST10111000	Bracket, Motor	1	
11	ST10112001	Plate, Rear Side Cover	1	
12	ST10113000	Trough	1	
13	ST10114000	Tube, Water Check	1	
14	ST10115000	Turn Connector 1-1/4 x 1/2	1	
15	ST10116000	Block, Guide	1	
16	ST10117000	Shaft	1	
17	274000673	Turn Connector PT 1-1/4	1	
18	2856023	Thermal $\psi$ 6.35x100mmLx PT 1/4	1	
19	2856024	Heater nippno Sheath Wire 5KW 220V/380V	2	
20	2732027	Level Electrode Holder $\psi$ 25(PS-31)	1	
21	2712145	Caster, 2-1/2	4	
22	27131215	Reducer, Motor w/Brake LK-SH 1/4HP 1/100	1	
23	2728816	Bearing, Cam CF16	1	
24	29090311	C Type Adapter VSC - 8 x 1/8	1	
25	2931028	PU Air Hose	1	
26	ST10119000	Bearing, Linear	4	
27	29093279	Nipple 1/2 x 4 ( S )	2	
28	29093277	Fitting 1/2 ( S )	2	
29	29093265	Nipple 1/2 x 70mm ( S )	2	
30	274000673	Elbow 1-1/4 (S)	2	
31	29093278	Nipple 1/2 x 30 ( S )	2	
32	ST10208000	Roller	1	
33	ST10118000	Bracket, Limit Switch	1	
34	2853215	Switch, Limit TZ-8108	2	
35	2701153	Screw, Round Hd Socket M6x20 (S)	4	

NO.	PART NO.	DESCRIPTION	QTY	NOTE
36	2704603	Screw, Socket Set M6x10 (S)	1	
37	2705302	Washer, Split Lock M6 (S)	11	
38	2700358	Screw, Hex Hd M5 x 12 (S)	4	
39	2883342	Door lock	4	
40	2700408	Screw, Hex Hd M8x20 (S)	4	
41	2701156	Screw, Socket Hd M8 x 20 (S)	4	
42	2706232	Ring R32 (S)	4	
43	2700426	Screw, Hex Hd M6x40 (S)	2	
44	2707204	Nut, M6 (S)	5	
45	2700449	Screw, Hex Hd M6x55 (S)	1	
46	27004764	Screw, Socket Hd M10x40 (S)	2	
47	2705332	Washer, Split Lock M10 (S)	6	
48	2707017	Nut, M10 (S)	6	
49	2705301	Washer, Split Lock M8 (S)	16	
50	2707103A	Nut, Nylon Lock M8 (S)	16	
51	2700443	Screw, Hex Hd M10x35 (S)	4	
52	2700402	Screw, Hex Hd M6x16 (S)	4	
53	27000361	Screw, Hex Hd M5x20 (S)	2	
54	2705150	Washer, Flat M5 (S)	8	
55	2700413	Screw, Hex Hd M5x16 (S)	2	
56	2700408	Screw, Hex Hd M8x16 (S)	4	
57	2705151	Washer, Flat M6 (S)	4	
58	2705152	Washer, Flat M8 (S)	16	
59	2705189	Washer, Flat M10 (S)	4	
60	27011591	Screw, Socket Hd M10x25 (S)	4	
61	2909143	Fitting 1/4"x1/2"	1	

## 8.2 WORKING BED DIAGRAM

### Working bed Diagram

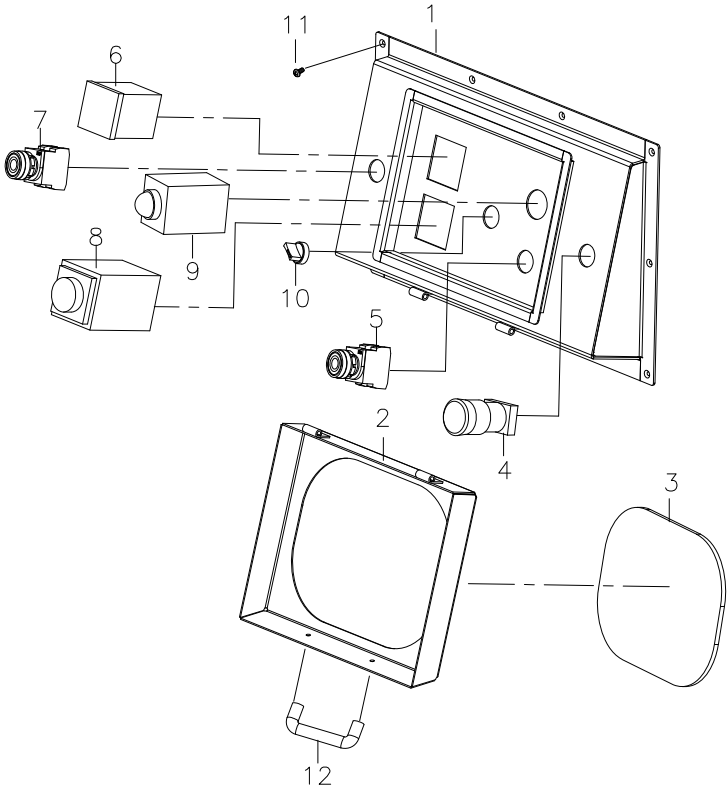


ST10200000

<b>NO.</b>	<b>PART NO.</b>	<b>DESCRIPTION</b>	<b>QTY</b>	<b>NOTE</b>
1	ST10201000	Plate, Movable	1	
2	ST10202000	Frame, Support	1	
3	ST10203000	Roller	4	
4	ST10204000	Stopper	2	
5	ST10205000	Frame, Roller Support	1	
6	ST10206000	Plate, Roller Join	1	
7	ST10207000	Shaft, Roller	27	
8	ST10208000	Roller	243	
9	ST10211000	Tip, Position	1	
10	ST10212000	Spring, Compressor	1	
11	ST10213000	Block, Spring Support	1	
12	2700472	Screw, Hex Hd M14x30 (S)	1	
13	2705333	Washer, Split Lock M14 (S)	1	
14	2700423	Screw, Hex Hd M6 x 45 (S)	2	
15	27046151	Washer Flat M6 (S)	2	
16	27060121	Ring S8 (S)	1	
17	27020831	Screw, Flat Philip M5 x 20 (S)	2	
18	2707208	Nut, Hex Hd M5 (S)	2	
19	2701502	Screw, Oval Hd M5 x 10 (S)	1	
20	27000362	Screw, Hex Hd M5 x 12 (S)	4	
21	2749022	Washer, Split Lock M5 (S)	2	
22	27000361	Screw, Hex Hd M5x20 (S)	2	
23	2705187	Washer, Flat M8 (S)	1	
24	2705302	Washer, Split Lock M6 (S)	2	
25	2707110	Nut, Nylon Lock M6 (S)	2	
26	2705155	Washer, Flat M14 (S)	1	
27	ST10209000	Corver	1	

# 8.3 OPERATOR BOX

Operator Box

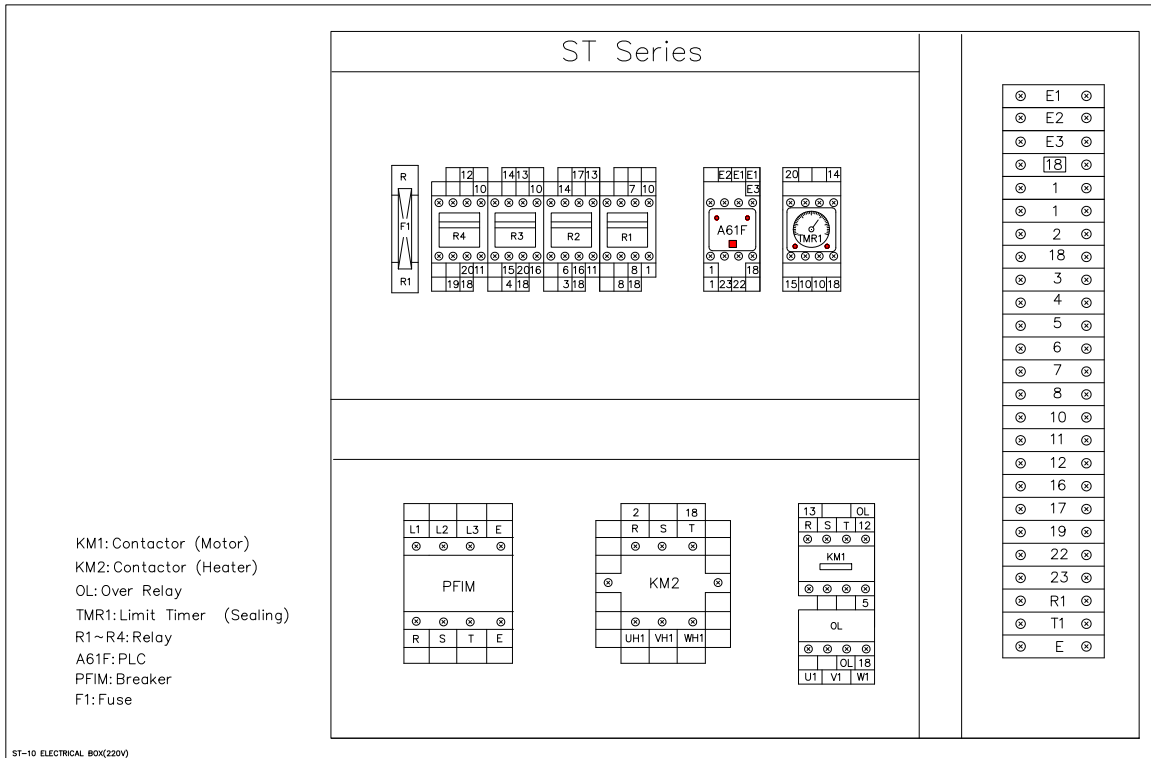


S10P300000

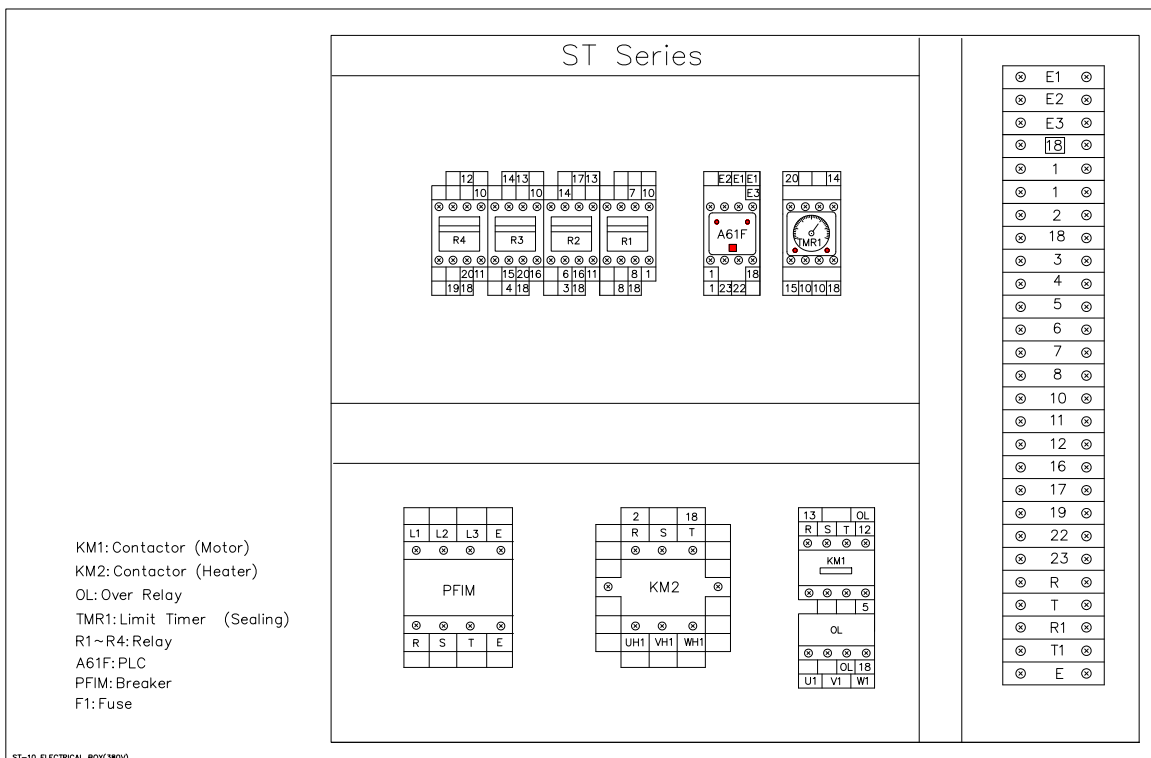


# 8.4 ELECTRICAL BOX

3 φ 220V 50/60Hz



3 φ 380V 50/60Hz

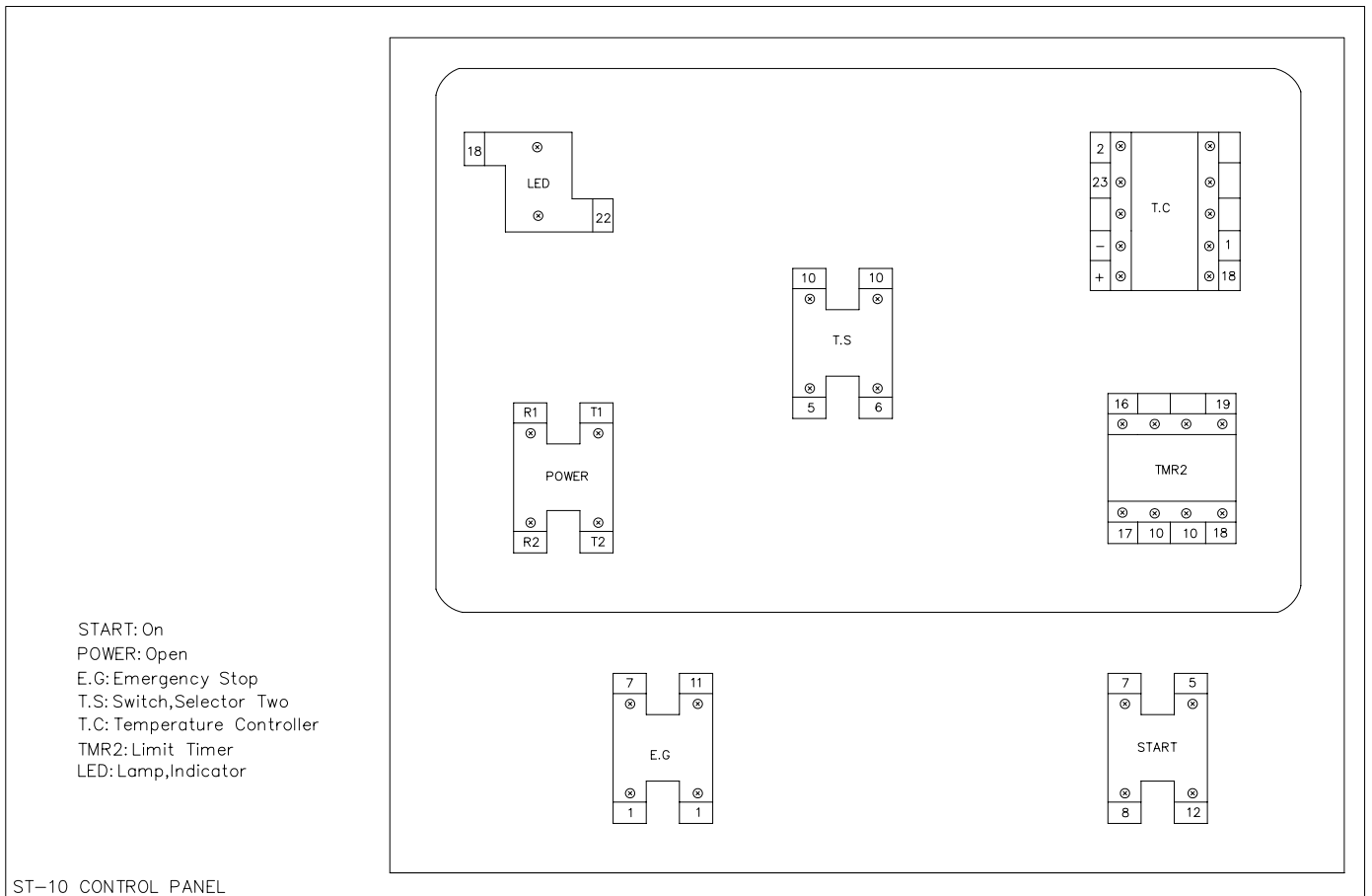




## 8.4 ELECTRICAL BOX

ITEM	PART NO.	DESCRIPTION	SPECIFICATION	Q'TY	NOTE
KM1	2810764	Contactora	TECO CN-11(220V)	1	
KM2	2810765	Contactora	TECO CN-50R(220V)	1	
OL	2811528	Overload Relay	TECO RHU-10K1 (1.1~1.6A)	1	
F1	2890042	Fuse	30mm 5A	1	
R1~R4	2810271	Relay	RU4S-C-A220	1	
	2831106	Socket, Relay	SY4S-05D	1	
TMR2	2832020	Time Relay	GE1A-B 220-240V/AC	1	
	2833202	Socket Relay	PF-085A	1	
A61F	2823421	PLC	A61F-GP-N 220V	1	
	2831202	Socket Relay	PF113A	1	
PFIM	2801006	Breaker Moeller	N17066/F1-4-63-0.03	1	
TB	2843212	Terminal Block	PTU-10	26	
	2843207	Plate Terminal Block	SBN-20(TA-002)	2	
T1	28960031	Transformer	380V/220V 150VA	1	
BOX	ST10800000	Electrical Box		1	

## 8.5 CONTROL PANEL



ITEM	PART NO.	DESCRIPTION	SPECIFICATION	Q'TY	NOTE
START	2870067	Switch Screw ( Green )	(YWIB-MIE20G)	1	
POWER	2870048	Switch Screw ( Green )	YW1B-A1E20G	1	
E.G	2870066	Screw ( Red )	YW1B-A4E11R	1	
T.S	2871119	Switch Selector Two(1A.1B)	YWIS-2111P	1	
T.C	2856022	Temperature Controller	E5CZ-R2 ( AC100-240V )	1	
	2832022	Socket Relay (Y)	Y-50 (48*48)	1	
TMR2	2832020	Time Relay	GE1A-B 220-240V/AC	1	
	2832021	Socket Relay	P3G-08 ANLY	1	
LED	2872502	Lamp Indicator ( Red )	SCR-3041 220V	1	