

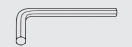


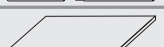
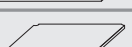




STAINLESS

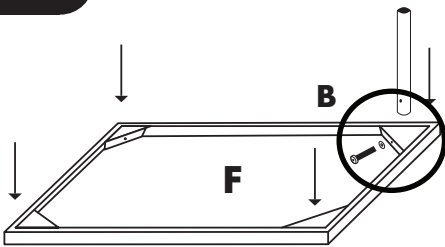
STEEL CART INSTRUCTIONS

PARTS NEEDED

A		A LONG (4) SCREWS/ (4) WASHERS)
B		B SHORT (4) SCREWS/ (4) WASHERS)
C		C ALLEN KEY
D		D 4 CASTERS
E		E CART LEGS
F		F UPPER SHELF
G		G LOWER SHELF

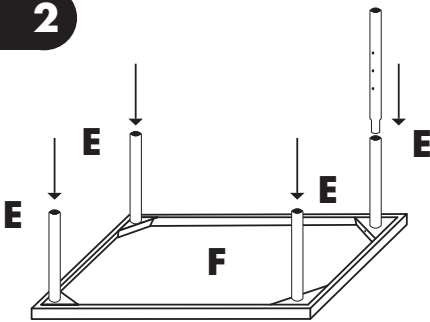
REMOVE WHITE PROTECTIVE FILM. **CAUTION: EDGES OF STAINLESS STEEL MAY BE SHARP. TAKE CAUTION WHEN HANDLING.**

1



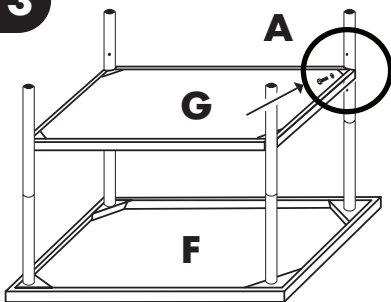
STEP ONE: Grab the **UPPER SHELF (F)** and flip it upside down. Install the one half of the **cart legs (E)** that have one hole. Fasten legs to **UPPER SHELF** using the provided **allen key (C)** and the shorter set of **screws/washers (B)**.

2



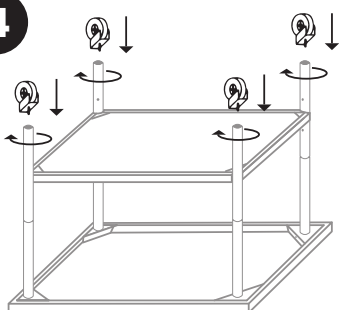
STEP TWO: Install the second half of the **cart legs (E)** into the first half.

3



STEP THREE: Once the **cart legs (E)** are fully installed, fasten the **LOWER SHELF (G)** to the second half of the **cart legs (E)** using the longer **screws/washers (A)**.

4



STEP FOUR: Finally, lower the **casters (D)** and screw them into the **cart legs (E)**. **Enjoy your new stainless steel cart!**

